

**Discontinuation Notice of NT20 Programmable Terminal.****Product Discontinuation**

Programmable Terminals

**Model NT20-ST12[] (B)**  
**Model NT20-ST121(B)-E[]****Recommended Replacement**

Programmable Terminals

**Model NB3Q-TW00B**  
**Model NB5Q-TW00B**  
**Model NV4W-MR21****[ Discontinuation date ]**

The end of September, 2015

**[ Caution on recommended replacement ]**

Recommended Replacement has no compatibility with NT20 both hardware and software.

NB series is the high cost-performance PT with 65536 TFT color LCD.

Screen designer tool, NB-Designer can be downloaded from Omron's each local web site for free.

In case using horizontal model, please select model NV4W (4.6-inch horizontal model)

**[ Difference from discontinued product ]**

Recommended replacement Model	Body Color	Dimensions	Wire connection	Mounting Dimensions	Characteristics	Operation ratings	Operation methods
NB3Q-TW00B	**/--	--	--	--	--	--	--
NB5Q-TW00B	**/--	--	--	--	--	--	--
NV4W-MR21	**/--	--	--	--	--	--	--

\*\* : Compatible

\* : The change is a little/Almost compatible

-- : Not compatible

- : No corresponding specification

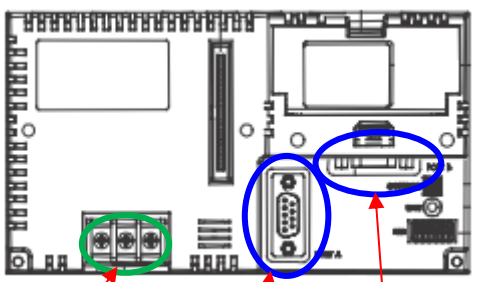
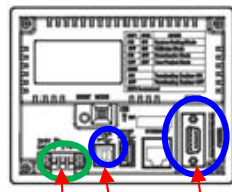
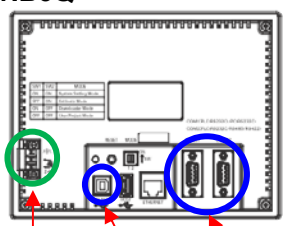
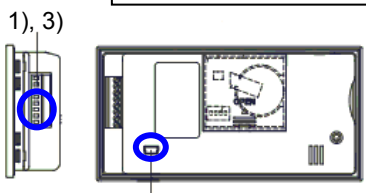
**[ Product Discontinuation and recommended replacement ]**

Product discontinuation	Recommended replacement
NT20-ST121	NB3Q-TW00B
	NB5Q-TW00B
	NV4W-MR21
NT20-ST121B	NB3Q-TW00B
	NB5Q-TW00B
	NV4W-MR21
NT20-ST128	NB3Q-TW00B
	NB5Q-TW00B
	NV4W-MR21
NT20-ST128B	NB3Q-TW00B
	NB5Q-TW00B
	NV4W-MR21
NT20-ST121-E	NB3Q-TW00B
	NB5Q-TW00B
	NV4W-MR21
NT20-ST121B-E	NB3Q-TW00B
	NB5Q-TW00B
	NV4W-MR21
NT20-ST121-EC	NB3Q-TW00B
	NB5Q-TW00B
	NV4W-MR21
NT20-ST121B-EC	NB3Q-TW00B
	NB5Q-TW00B
	NV4W-MR21


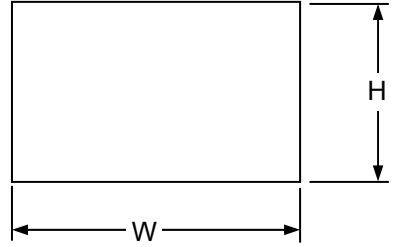
**[ Body color ]**

Product discontinuation Model NT20-ST121(B) Model NT20-ST121(B)-E	Recommendable replacement Model NB3Q, NB5Q, NV4W
<b>Black:</b> NT20-ST121B NT20-ST128B NT20-ST121B-E NT20-ST121B-EC  <b>Ivory:</b> NT20-ST121 NT20-ST128 NT20-ST121-E NT20-ST121-EC	<b>Black color only</b>

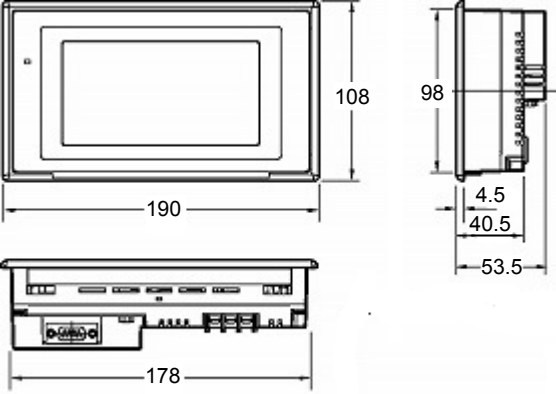
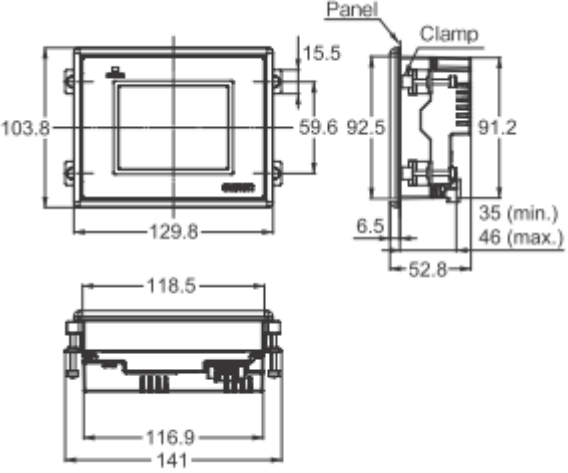
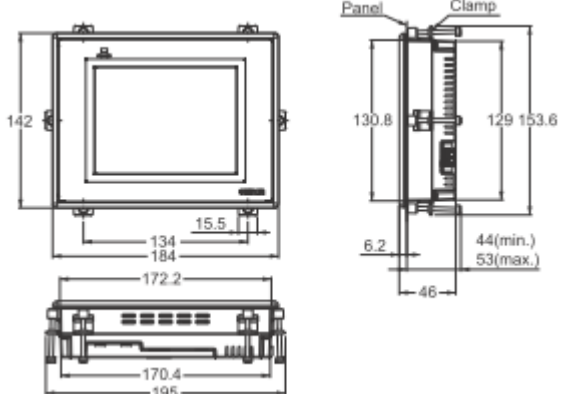
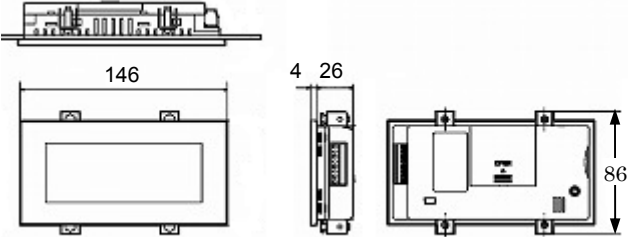
[ Wire connection ]

Product discontinuation Model NT20-ST12[(B) Model NT20-ST121(B)-E]	Recommendable replacement Model NB3Q, NB5Q, NV4W
<p><b>NT20</b></p>  <p>1) Power input terminals</p> <p>2) RS-232 connector (For connecting to a host or to a tool)</p> <p>3) RS-232C connector (For connection to a host)</p>	<div style="display: flex; justify-content: space-around;"> <div style="text-align: center;"> <p><b>NB3Q</b></p>  <p>1) 2) 3)</p> </div> <div style="text-align: center;"> <p><b>NB5Q</b></p>  <p>1) 2) 3)</p> </div> </div> <div style="border: 1px solid black; padding: 5px; margin: 10px 0;"> <p>1) Power input terminal 2) Tool port (USB) 3) RS-232 connector (For connecting to a host)</p> </div> <div style="text-align: center;"> <p><b>NV4W</b></p>  <p>1), 3) 2)</p> </div>

[ Mounting dimensions ]

Product discontinuation Model NT20-ST12[(B) Model NT20-ST121(B)-E]	Recommendable replacement Model NB3Q, NB5Q, NV4W												
<p><b>Panel cut dimensions</b></p>  <p style="text-align: center;">178.5 <sup>+0.5</sup>/<sub>0</sub></p> <p style="text-align: center;">98.5 <sup>+0.5</sup>/<sub>0</sub></p>	<p><b>Panel cut dimensions</b></p>  <p style="text-align: center;">W H</p> <table border="1" style="width: 100%; border-collapse: collapse; margin-top: 10px;"> <thead> <tr> <th style="text-align: center;">model</th> <th style="text-align: center;">W (mm)</th> <th style="text-align: center;">H (mm)</th> </tr> </thead> <tbody> <tr> <td>NB3Q-TW00B</td> <td style="text-align: center;">119.0 (+0.5/-0)</td> <td style="text-align: center;">93.0 (+0.5/-0)</td> </tr> <tr> <td>NB5Q-TW00B</td> <td style="text-align: center;">172.4 (+0.5/-0)</td> <td style="text-align: center;">131.0 (+0.5/-0)</td> </tr> <tr> <td>NV4W-MR21</td> <td style="text-align: center;">139.0 (+1/-0)</td> <td style="text-align: center;">67.0 (+1/-0)</td> </tr> </tbody> </table>	model	W (mm)	H (mm)	NB3Q-TW00B	119.0 (+0.5/-0)	93.0 (+0.5/-0)	NB5Q-TW00B	172.4 (+0.5/-0)	131.0 (+0.5/-0)	NV4W-MR21	139.0 (+1/-0)	67.0 (+1/-0)
model	W (mm)	H (mm)											
NB3Q-TW00B	119.0 (+0.5/-0)	93.0 (+0.5/-0)											
NB5Q-TW00B	172.4 (+0.5/-0)	131.0 (+0.5/-0)											
NV4W-MR21	139.0 (+1/-0)	67.0 (+1/-0)											

[ Dimensions ]

<p>Product discontinuation Model NT20-ST12□(B) Model NT20-ST121(B)-E□</p>	<p>Recommendable replacement Model NB3Q, NB5Q, NV4W</p>
<p><b>Outside Dimensions</b></p> 	<p><b>Outside Dimensions</b></p> <p><b>NB3Q</b></p>  <p><b>NB5Q</b></p>  <p><b>NV4W</b></p> 

[ Characteristics ]

Item	Product discontinuation Model NT20-ST12[(B) Model NT20-ST121(B)-E]	Recommendable replacement		
		Model NB3Q	Model NB5Q	Model NV4W
Display device	Monochrome STN LCD	TFT Color LCD	TFT Color LCD	Monochrome STN LCD
Display inches	---	3.5 inches	5.6 inches	4.6 inches
Display colors	White / Black	65,536 colors	65,536 colors	White / Black (Backlight: White / Pink / Red)
Number of dots	256 × 128 dot	320 × 240 dot	320 × 234 dot	320 × 120 dot
Backlight Service life	50,000 hours min.	50,000 hours min.	50,000 hours min.	50,000 hours min.
Rated power supply voltage	24 VDC	24 VDC	24 VDC	24 VDC
Power consumption	10 W max.	9 W max.	10 W max.	1.7 W max.
Communications	Serial Communications × 2 (RS-232C × 2)	Serial Communication × 1 (RS-232C/RS-422A/485) USB2.0 × 2 (typeA + typeB)	Serial Communication × 2 (RS-232C + RS-232C/RS-422A/485) USB2.0 × 2 (typeA + typeB)	Serial Communication × 1 (RS-232C) USB1.1 × 1 (MiniB)
Standard	UL1604 Class1 Division2, EC	UL508, KC, EC	UL508, KC, EC	UL508, EC
Manual	V091: User's Manual V061: Operation Manual V042: PLC Connection Manual	V106: Operation Manual V107: Setup Manual V108: Host Connection Manual	V106: Operation Manual V107: Setup Manual V108: Host Connection Manual	V103: Setup Manual V104: Programming Manual V105: Host Connection Manual
Design software	NT-ZJCAT1-EV4	NB-Designer	NB-Designer	NV-Designer

[ Operation methods ]

Product discontinuation Model NT20-ST12[(B) Model NT20-ST121(B)-E]	Recommendable replacement Model NB3Q, NB5Q, NV4W
Please refer each manuals and confirmation by test to replace from NT20 to NB3Q/NB5Q/NV4W in your system.	

Specifications and prices in this product news are as of the issue date and are subject to change without notice. Only main changes in specifications are described in this document. Please be sure to read the relevant catalogs, datasheets, product specifications, instructions, and manuals for precautions and necessary information when using products.