

Product Discontinuation Notices

July 1, 2009

Power sensors

No. 2009213E

Discontinuation Notice of Power sensor. KM20-A series

Product Discontinuation

Power sensors

Recommended Replacement

Power sensors



KM20-A Series
KM20-CT050 series

KM20-B Series
KM20-CTF-50A series

Discontinuation date : The end of March, 2010

Caution on recommended replacement

KM20-B series have been released in April,2009.

Difference from discontinued product

Model	Body Color	Dimensions	Wire connection	Mounting Dimensions	Characteristics	Operation ratings	Operation methods
KM20-B40	**	**	**	**	**	**	*

** : Fully compatible

* : The change is a little/Almost compatible

-- : Not compatible

- : No corresponding specification

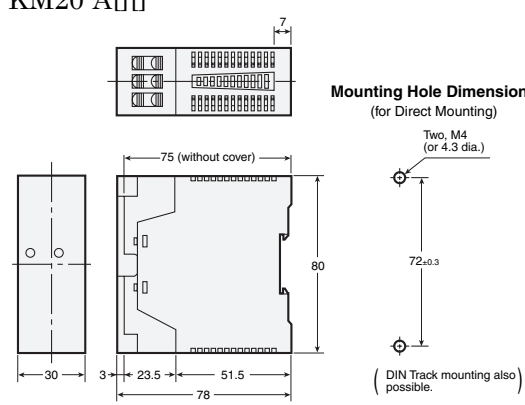
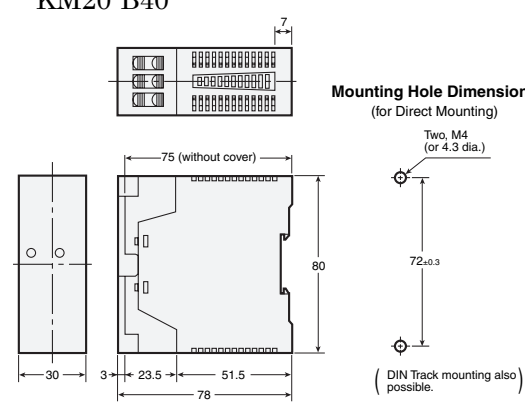
Product Discontinuation and recommended replacement

Product discontinuation		Recommended replacement	
Model	Product code	Model	Product code
KM20-A11	KM201001R	KM20-B40	KM20-3001M
KM20-A12	KM201002G	KM20-B40	KM20-3001M
KM20-A21	KM201003E	KM20-B40	KM20-3001M
KM20-A22	KM201004C	KM20-B40	KM20-3001M
KM20-A35	KM205001M	KM20-B40+KM20-CTF-5A	KM20-3001M
KM20-CT050	KM202001D	KM20-CTF-50A	
KM20-CT050-CE	KM202005G	KM20-CTF-50A	
		Note: Not CE marking	

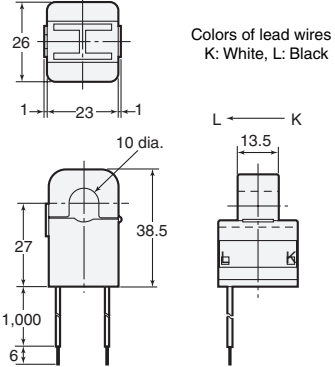
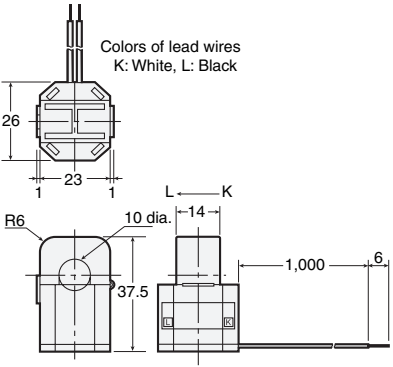
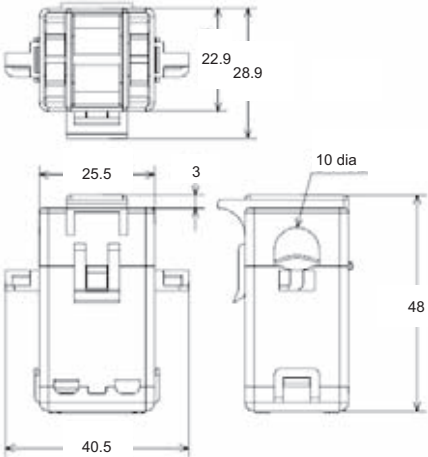
Body color

Product discontinuation KM20-A	Recommendable replacement KM20-B40
Munsell 5Y7/1	Same as on the left

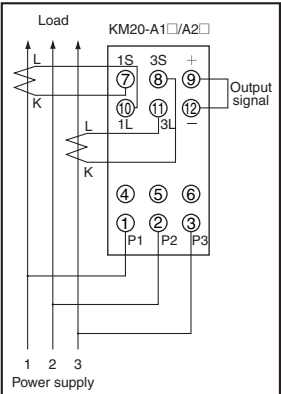
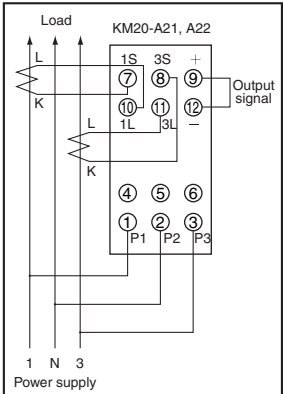
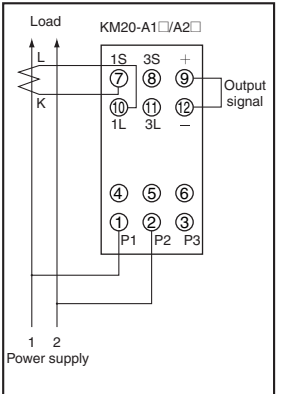
Dimensions

Product discontinuation KM20-A	Recommendable replacement KM20-B40
<p>KM20-A□□</p>  <p>Mounting Hole Dimensions (for Direct Mounting)</p> <p>Two, M4 (or 4.3 dia.)</p> <p>72±0.3</p> <p>(DIN Track mounting also possible.)</p>	<p>KM20-B40</p>  <p>Mounting Hole Dimensions (for Direct Mounting)</p> <p>Two, M4 (or 4.3 dia.)</p> <p>72±0.3</p> <p>(DIN Track mounting also possible.)</p>

Dimensions

Product discontinuation KM20-A	Recommendable replacement KM20-B40
<p>KM20-CT050</p>  <p>Colors of lead wires K: White, L: Black</p> <p>KM20-CT050-CE</p>  <p>Colors of lead wires K: White, L: Black</p>	<p>KM20-CTF-50A</p> 

Wire Connection

Product discontinuation KM20-A			Recommendable replacement KM20-B40
<p>Three-phase, Three-wire System</p> 	<p>Single-phase, Three-wire System</p> 	<p>Single-phase, Two-wire System</p> 	<p>Same as on the left</p>

Characteristics

	Product discontinuation KM20-A	Recommendable replacement KM20-B40
Rated input voltage	KM20-A11, KM20-A12 : Single-phase AC200 to 240V 3-phase, 3wire AC200 to 240V KM20-A21, KM20-A22 : Single-phase, 2-wire AC100 to 120V Single-phase, 3-wire AC100/200V KM20-A35 : Single-phase, 2-wire AC100 to 240V 3-phase, 3wire AC200 to 240V Single-phase, 3-wire AC100/200V	AC100-240V (Single-phase, 2-wire) AC100-240V (3-phase, 3wire) AC100-240V (Single-phase, 3-wire)
Rated input current	KM20-A11 :50A KM20-A12 :100/250/500A KM20-A21 :50A KM20-A22 :100/250/500A	Special CT (5/50/100/400/600A)
CT	KM20-A11 : KM20-CT050 (50A) KM20-CT050-CE (50A) KM20-A12 : KM20-CTN100 (100A) KM20-CTN250 (250A) KM20-CTN500 (500A) KM20-A21 : KM20-CT050 (50A) KM20-CT050-CE (50A) KM20-A22 : KM20-CTN100 (100A) KM20-CTN250 (250A) KM20-CTN500 (500A)	KM20-CTF-5A (50A) KM20-CTF-50A (50A) KM20-CTF-100A (100A) KM20-CTF-400A (400A) KM20-CTF-600A (600A) Note:KM20-B40 can not use KM20-CT050/-CE, KM20-CTN□□□
	KM20-A35 : 5A input	KM20-B40+KM20-CTF-50A
Rated frequency	50/60Hz	50/60Hz
Rated power. (FS)	KM20-A11: 20KW KM20-A12: 400W KM20-A21: 10KW KM20-A22: 200W KM20-A35: 2KW	5ACT in use: 2KW 50ACT in use: 20KW 200ACT in use: 80KW 400ACT in use: 160KW 600ACT in use: 240KW
Input voltage range	85 to 110% of the rated input voltage	Same as on the left
Allowable input current	120% of rated input current (continuous)	Same as on the left
Rated load	Voltage input: 0.5VA max. (between P2 and P3) Current input: 0.5VA max. (between 1S and 1L, between 3S and 3L) Power supply input: 5VA max. (between P1 and P2)	Same as on the left

Characteristics

	Product discontinuation KM20-A	Recommendable replacement KM20-B40
Total power pulse output	Number of outputs: 1 point (open-collector output) Output capacity: 30VDC, 30mA max. ON residual voltage: 1.2V max.	Same as on the left
Unit for pulse output (w, h)	KM20-A11: 5/10/50/100/500/1K/5K/10K/50K/100K KM20-A12: 0.1/0.5/1/5/10/50/100/500/1K/5K KM20-A21: 1/5/10/50/100/500/1K/5K/10K/50K KM20-A22: 0.05/0.1/0.5/1/5/10/50/100/500/1K KM20-A35: 1/10/100/1K/10K/100K/2K/5K/20K/50K	1/10/100/1k/2k/5k/20k/50k/100k (w, h)
Pulse width	0.5/5/10s	0.5s
Safety standard	UL508, EN61010-1/IEC61010-1	None

Please make entry coping formats, if you have more additional items, for example accessories, packing and so on.