

Product Discontinuation Notices

Proximity Sensors

Issue Date
July 1, 2014

No. 2014042CE(2)

Discontinuation Notice of Valve Sensors E2MP series.

<< REQUEST >>

There was modification in portion of Product Discontinuation notices of Product News No. 2014042CE of March 2014 issue. What we have changed is as follows; Recommended replacement information is shown in this document. Please abolish old edition, replace the latest No. 2014042CE(2).

Product Discontinuation

Valve Sensors

Model E2MP-CB1(-M1)
Model E2MP-SB1(-M1)
Model E2MP-CC1(-M1)
Model E2MP-SC1(-M1)
Model E2MP-CT1
Model E2MP-ST1
Model E2MP-CA[]
Model E2MP-SA[]



Recommended Replacement

TURCK

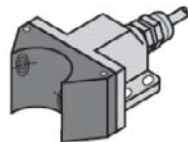
Model Ni4-DSU35-2AP4X2(-H1141)
Model Ni4-DSU26-2AP4X2-H1141
Model Ni4-DSU35-2AN4X2-H1141
Model Ni4-DSU26-2AP4X2-H1141
Model Ni4-DSU35-2ADZ30X2
Model Ni4-DSU26TC-2ADZ30X2
Model BTS-DSU35-E[]([])
Model BTS-DSU26-EB[]

[Discontinuation date]

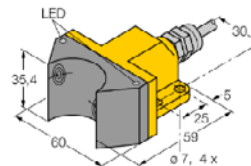
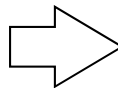
The end of March, 2015

[Caution on recommended replacement]

Body color is changed.



OMRON



TURCK

[Difference from discontinued product]

Recommended replacement Model	Body Color	Dimen-sions	Wire Connection	Mounting Dimensions	Charact-eristics	Operation ratings
Model Ni4-DSU35-2AP4X2	*1	**	**	**	**	**
Model Ni4-DSU35-2AP4X2-H1141	*1	**	**	**	**	**
Model Ni4-DSU35-2ADZ30X2	*1	**	**	**	**	**
Model Ni4-DSU35-2AN4X2-H1141	*1	**	*2	**	**	**
Model Ni4-DSU26-2AP4X2-H1141	*1	**	*2, *3	**	**	**
Model Ni4-DSU26TC-2ADZ30X2	*1	**	*4	**	**	**
Model BTS-DSU35-E[]([])	**	**	**	**	**	**
Model BTS-DSU26-EB[]	**	**	**	**	**	**

** : Compatible

*1 : Yellow *2 : Connector *3 : PNP-output *4 : Terminal

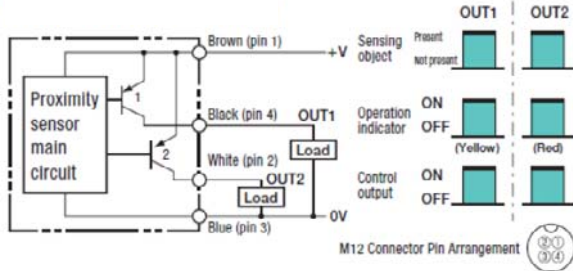

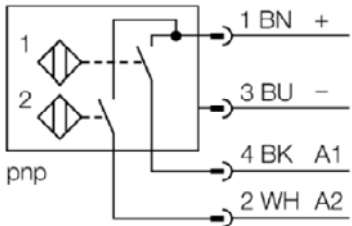
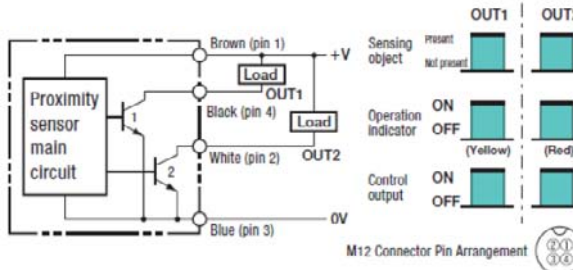

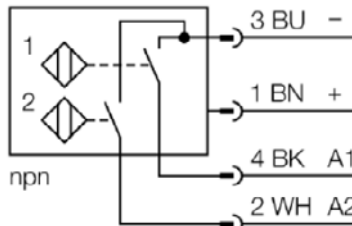
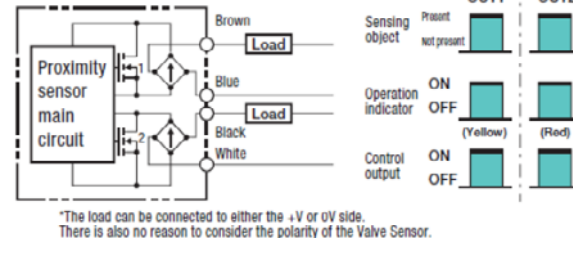
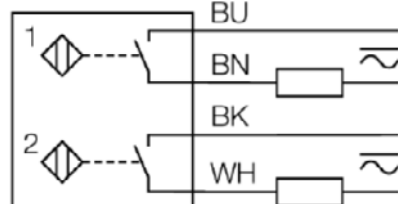
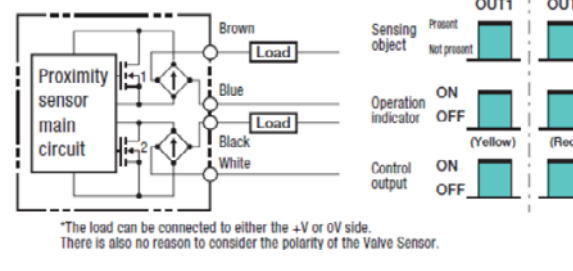
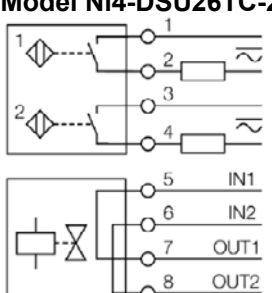
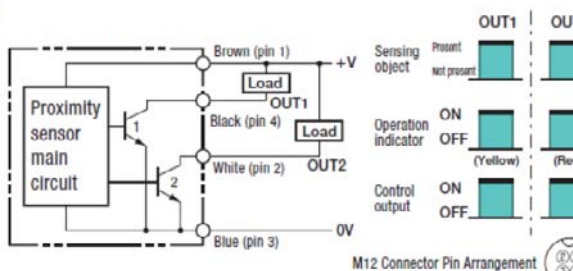
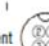
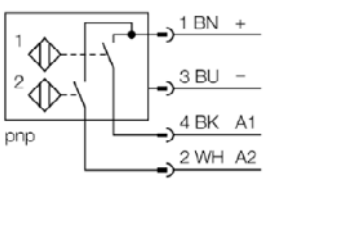
[Product Discontinuation and recommended replacement]

Product discontinuation	Recommended replacement
Model E2MP-CB1 2m	Model Ni4-DSU35-2AP4X2
Model E2MP-CB1-M1	Model Ni4-DSU35-2AP4X2-H1141
Model E2MP-CT1 2m	Model Ni4-DSU35-2ADZ30X2
Model E2MP-CC1 2m	Model Ni4-DSU35-2AN4X2-H1141
Model E2MP-CC1-M1	Model Ni4-DSU35-2AN4X2-H1141
Model E2MP-SB1 2m	Model Ni4-DSU26-2AP4X2-H1141
Model E2MP-SB1-M1	Model Ni4-DSU26-2AP4X2-H1141
Model E2MP-ST1 2m	Model Ni4-DSU26TC-2ADZ30X2
Model E2MP-SC1 2m	Model Ni4-DSU26-2AP4X2-H1141
Model E2MP-SC1-M1	Model Ni4-DSU26-2AP4X2-H1141
Model E2MP-CA1	Model BTS-DSU35-EB1
Model E2MP-CA2	Model BTS-DSU35-EU2
Model E2MP-CA3	Model BTS-DSU35-EBE1
Model E2MP-SA1	Model BTS-DSC26-EB1
Model E2MP-SA2	Model BTS-DSC26-EB2
Model E2MP-SA3	Model BTS-DSC26-EB3

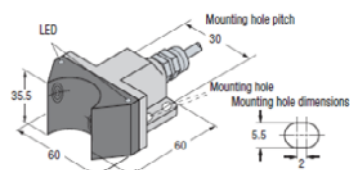
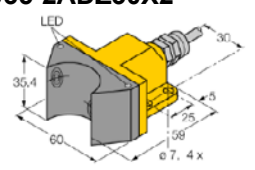
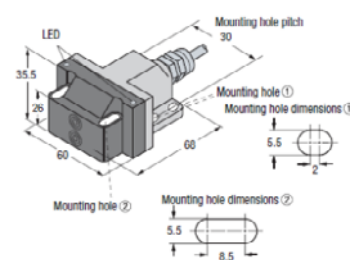
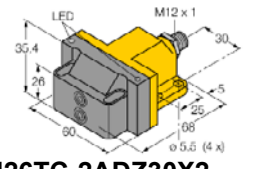
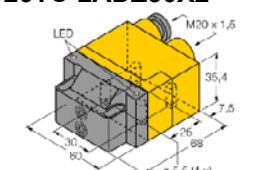
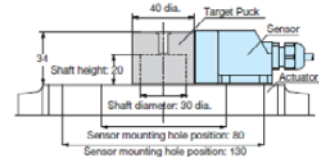
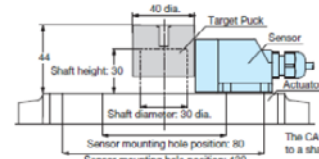
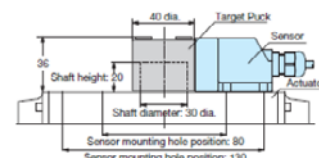
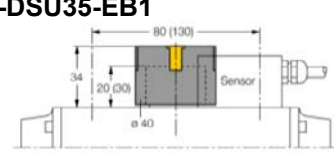
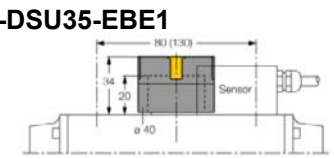
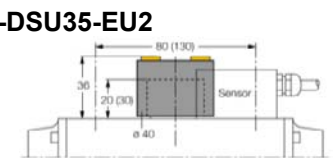
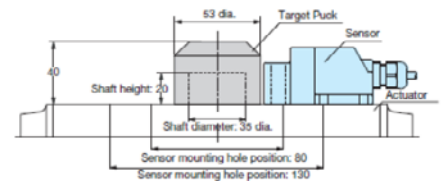
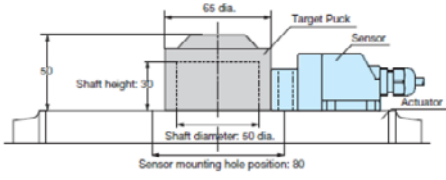
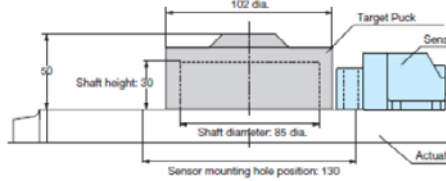
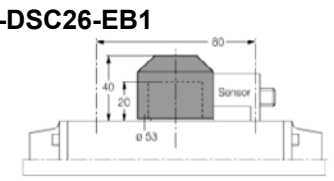
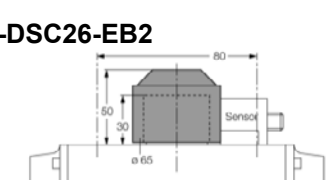
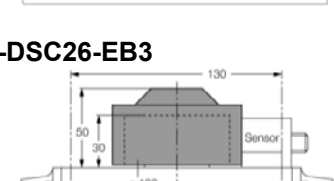
[Body color]

Product discontinuation	Recommendable replacement
Model E2MP-C□1(-M1) : Black	Model Ni4-DSU35-2A□□(□□)X2(-H1141) : Yellow
Model E2MP-S□1(-M1) : Black	Model Ni4-DSU26(TC)-2A□□(□□)X2(-H1141) : Yellow
Model E2MP-CA□ : Black	Model BTS-DSU35-E□□(□) : Black
Model E2MP-SA□ : Black	Model BTS-DSU26-EB□ : Black

[Wire connection]

Product discontinuation	Recommendable replacement
<p>Model E2MP-CB1(-M1) Model E2MP-SB1(-M1)</p>  <p>M12 Connector Pin Arrangement </p> <p>Applicable OMRON connector cable: X2SF Series</p>	<p>Model Ni4-DSU35-2AP4X2(-H1141) Model Ni4-DSU26-2AP4X2-H1141</p> 
<p>Model E2MP-CC1(-M1)</p>  <p>M12 Connector Pin Arrangement </p> <p>Applicable OMRON connector cable: X2SF Series</p>	<p>Model Ni4-DSU35-2AN4X2-H1141</p> 
<p>Model E2MP-CT1</p>  <p>*The load can be connected to either the +V or 0V side. There is also no reason to consider the polarity of the Valve Sensor.</p>	<p>Model Ni4-DSU35-2ADZ30X2</p> 
<p>Model E2MP-ST1</p>  <p>*The load can be connected to either the +V or 0V side. There is also no reason to consider the polarity of the Valve Sensor.</p>	<p>Model Ni4-DSU26TC-2ADZ30X2</p> 
<p>Model E2MP-SC1(-M1)</p>  <p>M12 Connector Pin Arrangement </p> <p>Applicable OMRON connector cable: X2SF Series</p>	<p>Model Ni4-DSU26-2AP4X2-H1141</p> 

[Dimensions]

Product discontinuation	Recommendable replacement
<p>E2MP-C Series (for shafts with a 30-mm diameter)</p> 	<p>Model Ni4-DSU35-2A[4X2(-H1141)] Model Ni4-DSU35-2ADZ30X2</p> 
<p>E2MP-S Series (for shafts with 35 to 85 mm diameter)</p> 	<p>Model Ni4-DSU26-2AP4X2-H1141</p>  <p>Model Ni4-DSU26TC-2ADZ30X2</p> 
<p>E2MP-CA1, CA3</p>  <p>E2MP-CA2</p>  <p>The CA1 and CA2 are applicable to a shaft height of 30 mm.</p> <p>E2MP-CA2</p> 	<p>Model BTS-DSU35-EB1</p>  <p>Model BTS-DSU35-EBE1</p>  <p>Model BTS-DSU35-EU2</p> 
<p>E2MP-SA1</p>  <p>E2MP-SA2</p>  <p>E2MP-SA3</p>  <p>Sensor mounting: M5 screws, Target Puck: M6 screws</p>	<p>Model BTS-DSC26-EB1</p>  <p>Model BTS-DSC26-EB2</p>  <p>Model BTS-DSC26-EB3</p> 

[Characteristics]

Product discontinuation				Recommendable replacement	
Item	E2MP-C Series	E2MP-CB1(-M1)	E2MP-CC1(-M1)	E2MP-CT1	
Model	E2MP-S Series	E2MP-SB1(-M1)	E2MP-SC1(-M1)	E2MP-ST1	
Output method	DC 3-wire PNP		DC 3-wire NPN	AC/DC 2-wire	
Set distance	1 mm max.				
Sensing object	E2MP-C Series: E2MP-CA □		E2MP-S Series: E2MP-SA □		
Power supply voltage	10 to 30 VDC (including ripple (p-p): 10%)		20 to 250 VAC (50/60 Hz), 10 to 300 VDC (including ripple (p-p): 10%)		
Current consumption	15 mA max.		—		
Leakage current	—		1.7mA max.		
Control output	Switching capacity	Open-collector output: 200mA max.		AC: 3 to 400 mA, DC: 3 to 300 mA	
	Residual voltage	2 V max. with a 2-m cable and up to a 200 mA load current		0.1 V max. (IC load current: 400 mA, DC load current: 300 mA, Cable length: 2 m)	
Indicators	Operation indicator 1: Yellow Operation indicator 2: Red				
Protection circuits	Load short-circuit protection, Power supply reverse polarity protection, Output reverse polarity protection		Load short-circuit protection		
Ambient temperature	Operating: -25 to 70 °C (with no icing or condensation) Storage: -25 to 70 °C (with no icing or condensation)				
Ambient humidity	Operating: 35% to 95% (with no condensation) Storage: 35% to 95% (with no condensation)				
Insulation resistance	50 MΩ min. (at 500 VDC) between current-carrying parts and case				
Dielectric strength	500 VAC, 50/60 Hz for 1 min. between current-carrying parts and case		1,500 VAC, 50/60 Hz for 1 min. between current-carrying parts and case		
Vibration resistance (destruction)	10 to 55 Hz, 1-mm double amplitude for 2 hours each in X, Y, and Z directions				
Shock resistance (destruction)	300 m/s ² 10 times each in X, Y, and Z directions				
Degree of protection	IEC 60529 IP67				
Connection method	Not indicated in model number: Pre-wired Models (Standard cable length: 2 m)		Pre-wired Models (Standard cable length: 2 m)		
Weight (packed state)	C Series	Pre-wired Models: Approx. 170 g Connector Models: Approx. 90 g			
	S Series	Pre-wired Models: Approx. 190 g Connector Models: Approx. 110 g			
Materials	Case: PP, Display window: PA, Mounting screws and washers: Stainless steel, Cord: PVC (Pre-wired Models), Connectors: Brass nickel plated (Models with Connectors)				
Accessories	Instruction Manual, screws (C Series: M1.5×12 two screws, S Series: M1.5×30 two screws, M1.5×30 two screws, two washers)				
Model Ni4-DSU35-2AP4X2(-H1141) Model Ni4-DSU26-2AP4X2-H1141					
Rated operating distance Sn		4 mm			
Mounting condition		non-flush			
Correction factors		St37 = 1; Al = 0.3; stainless steel = 0.7; Ms = 0.4			
Repeatability		≤ 2 % of full scale			
Temperaturdrift		10 %			
Hysteresis		3...15 %			
Ambient temperature		-25...+70 °C			
Operating voltage		10...65VDC			
Residual ripple		≤ 10 % U _n			
DC rated operational current		≤ 200 mA			
No-load current I ₀		≤ 15 mA			
Residual current		≤ 0.1 mA			
Rated insulation voltage		≤ 0.5 kV			
Short-circuit protection		yes/ cyclic			
Voltage drop at I ₀		≤ 1.8 V			
Wire breakage / Reverse polarity protection		yes/ complete			
Output function		4-wire, NO contact, PNP			
Switching frequency		0.05 kHz			
Model Ni4-DSU35-2AN4X2-H1141					
Rated operating distance Sn		4 mm			
Mounting condition		non-flush			
Correction factors		St37 = 1; Al = 0.3; stainless steel = 0.7; Ms = 0.4			
Repeatability		≤ 2 % of full scale			
Temperaturdrift		10 %			
Hysteresis		3...15 %			
Ambient temperature		-25...+70 °C			
Operating voltage		10...65VDC			
Residual ripple		≤ 10 % U _n			
DC rated operational current		≤ 200 mA			
No-load current I ₀		≤ 15 mA			
Residual current		≤ 0.1 mA			
Rated insulation voltage		≤ 0.5 kV			
Short-circuit protection		yes/ cyclic			
Voltage drop at I ₀		≤ 1.8 V			
Wire breakage / Reverse polarity protection		yes/ complete			
Output function		4-wire, NO contact, PNP			
Switching frequency		0.05 kHz			
Model Ni4-DSU26TC-2ADZ30X2 Model Ni4-DSU35-2ADZ30X2					
Rated operating distance Sn		4 mm			
Mounting condition		non-flush			
Correction factors		St37 = 1; Al = 0.3; stainless steel = 0.7; Ms = 0.4			
Repeatability		≤ 2 % of full scale			
Temperaturdrift		10 %			
Hysteresis		3...15 %			
Ambient temperature		-25...+70 °C			
Operating voltage		20...250 VAC			
Operating voltage		10...300VDC			
AC rated operational current		≤ 400 mA			
DC rated operational current		≤ 300 mA			
Frequency		≥ 50...≤ 60 Hz			
Residual current		≤ 1.7 mA			
Rated insulation voltage		≤ 1.5 kV			
Surge current		≤ 3 A (≤ 20 ms max. 5 Hz)			
Short-circuit protection		yes/ latching			
Voltage drop at I ₀		≤ 6 V			
Wire breakage / Reverse polarity protection		yes/ complete			
Output function		4-wire, 2x NO			
Smallest operating current I ₀		≤ 3 mA			
Valve control		Exi (max. 45 V)			
Switching frequency		0.02 kHz			

Specifications and prices in this product news are as of the issue date and are subject to change without notice. Only main changes in specifications are described in this document. Please be sure to read the relevant catalogs, datasheets, product specifications, instructions, and manuals for precautions and necessary information when using products.