

MITSUBISHI

A8GT-70LTT

Back light

Mitsubishi Graphics Operation Terminal Instruction Manual

Thank you for choosing the Mitsubishi MELSEC Graphic Operation Terminal. To ensure correct use of this equipment, please read this manual carefully before operating it.



© 1996 MITSUBISHI ELECTRIC CORPORATION IB(NA)-66676A (9605) MEE

Related Manuals

The following manuals are available for this equipment. Refer to the table given below to choose suitable manuals.

Related Manual	
Manual Name	Manual No. (Type Code)
User's Manual for the A870GOT Graphics Operation Terminal	IB-66669-A (13J847)

Model	A8GT-70LTT-U-E
Part Number	13J850

● Precautions Regarding Safety ●

(Please read carefully before using your equipment)

When using this product, please read the manuals that are supplied with each of the products, as well as any related manuals available as supplementary manuals. Make sure careful attention is paid to safety, and that the equipment is handled correctly.

In this manual, safety precautions concerning more hazardous items are labeled "DANGER", and those concerning more general safety items are labeled "CAUTION".

⚠ DANGER: Improper handling could cause hazardous conditions resulting in severe injury or death.

⚠ CAUTION: Improper handling could cause hazardous conditions resulting in moderate or light injury, or in physical damage.

Items marked with an exclamation point in a triangle ⚠ could also cause severe consequences, depending on the circumstances, if not handled properly. They indicate information that should be taken seriously and observed conscientiously.

Manuals supplied with the products should be stored carefully where they can be accessed whenever necessary, and should always be passed on to the end user along with the equipment.

[Handling Precautions]

⚠ DANGER

- When replacing the back light, turn off the GOT power (When the GOT is connected to a bus, turn off the PC's CPU power), and first remove the GOT main unit from the panel. If left in the panel, the GOT could fall and cause an injury. If this is done while the power is on it could cause electric shock.

⚠ CAUTION

- Do not touch the GOT's circuit board or electronic components when replacing the back light. Doing so could cause trouble or malfunction.
- Be sure to take the following precautions when replacing the TFT backlight (A8GT-70LTT).
- Wear gloves or finger socks when replacing the backlight.
- Replace the backlight after waiting 5 or more minutes after turning the GOT's power off. The heat from the backlight can cause burns.

[Disposal Precautions]

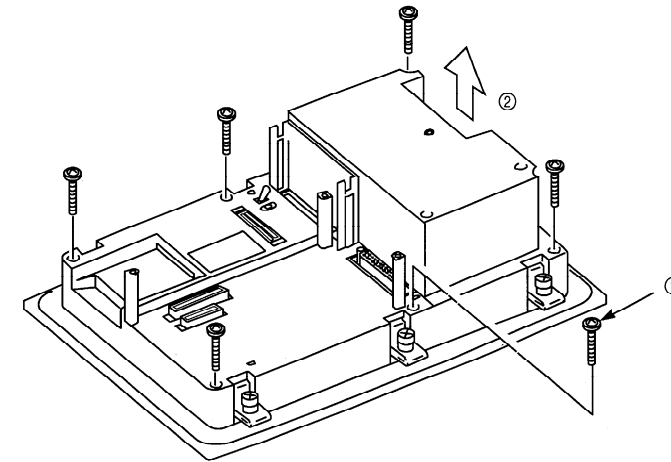
⚠ CAUTION

- When disposing this product, it should be handled as an industrial discard.

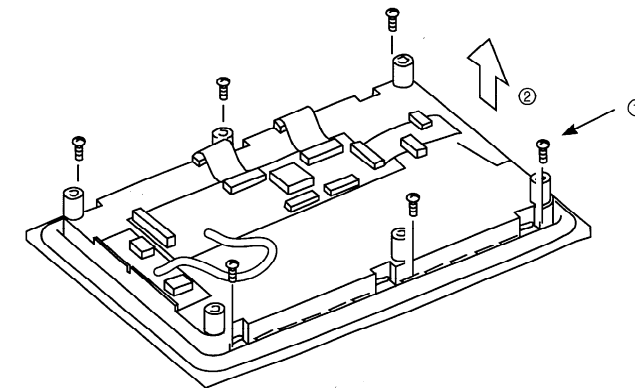
■ 1. Back Light Replacement Method

Use the procedure below to replace the backlights.

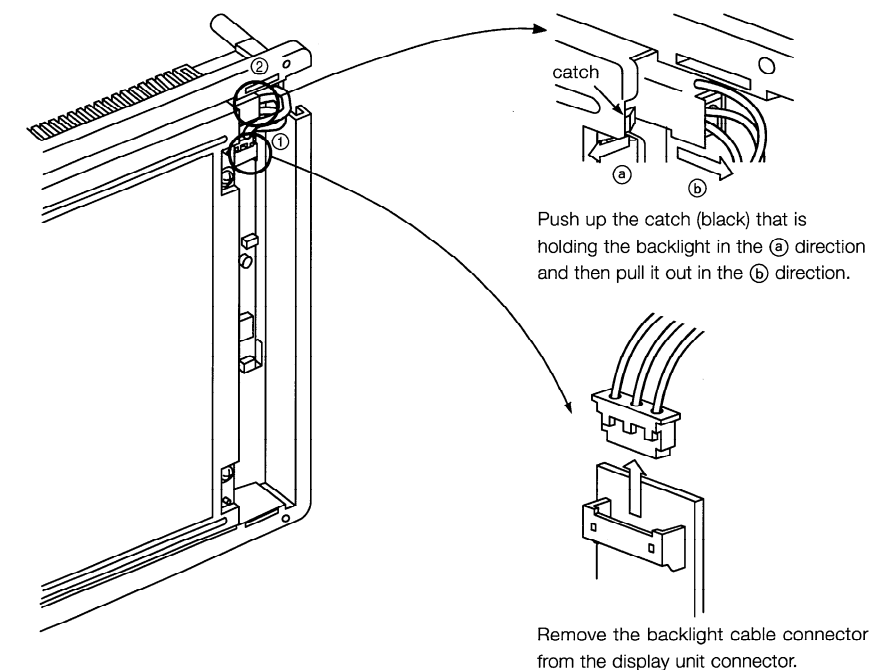
- (1) Loosen the GOT attachment fittings, and remove the GOT from the base.
- (2) ① Using a screwdriver, remove the six securing screws from the back of the GOT.
② When the screws have been removed, remove the case of the control circuit section from the case of the display unit.



- (3) ① Remove the six screws securing the display unit in place.
② When the screws have been removed, remove the display unit from the case.



- (4) ① Turn over the display unit, and disconnect the backlight cable connectors from the display unit connectors.
② Take the backlight off of the display unit.



- (5) Install the new backlights by reversing the above procedure, and fit the display unit back into its case.

Point

Securing screws should be tightened to a tightening torque of 36 ~ 48 N-cm (3.7 ~ 4.9 kg-cm).