

# MITSUBISHI

## A9GT-QBUS2S type Multidrop Bus connection communication board

### User's Manual

Thank you for purchasing the MELSEC-GOT Series.

**To ensure correct use of this equipment, please carefully read this manual prior to use.**



Type	A9GT-QBUS2S-U
Type Code	1DM130
IB(NA)-0800074-C(0512)MEE	

Mitsubishi Graphic Operation Terminal

#### Related Manuals

The following manuals are relevant to this product. Refer to the following list and order the required manuals.

Detailed Manual

Manual Name	Manual Number (Type Code)
A985GOT/A975GOT/A970GOT/A960GOT User's Manual (Available as option)	SH-4005 (IDM099)

Relevant Manual

For relevant manual, refer to the PDF manual stored within the drawing software.

©1999 MITSUBISHI ELECTRIC CORPORATION

### ● SAFETY PRECAUTIONS ●

(Read these precautions prior to use.)

When using Mitsubishi equipment, thoroughly read this manual and the associated manuals introduced in this manual. Also pay careful attention to safety and handle the module properly.

These precautions apply only to Mitsubishi equipment. Refer to the CPU module user's manual for a description of the PLC system safety precautions.

These ●SAFETY PRECAUTIONS● classify the safety precautions into two categories: "DANGER" and "CAUTION".



Procedures which may lead to a dangerous condition and cause death or serious injury if not carried out properly.



Procedures which may lead to a dangerous condition and cause superficial to medium injury,, or physical damage only, if not carried out properly.

Depending on circumstances, procedures indicated by **CAUTION** may also be linked to serious results.

In any case, it is important to follow the directions for usage.

Store this manual in a safe place so that you can take it out and read it whenever necessary. Always forward it to the end user.

#### [DESIGN PRECAUTIONS]



- Do not bundle control lines or communication wires together with main circuit or power lines, or lay them close to these lines. As a guide, separate the lines by a distance of at least 100 mm (3.94 inch) otherwise malfunctions may occur due to noise.

#### [INSTALLATION PRECAUTIONS]



- Before mounting or dismounting this module to or from the GOT, always shut off GOT power externally in all phases. Not doing so can cause a module failure or malfunction.
- Before connecting the Bus connection cable to this module, always shut off GOT power and PLC CPU power externally in all phases. Not doing so can cause a malfunction.



- Use this module in the environment given in the general specifications of the GOT User's Manual. Not doing so can cause an electric shock, fire, malfunction or product damage or deterioration.
- When installing this unit to the GOT, fit it to the connection interface of the GOT and tighten the mounting screws in the specified torque range. Undertightening can cause a drop, failure or malfunction. Overtightening can cause a drop, failure or malfunction due to GOT or screw damage.

#### [WIRING PRECAUTIONS]



- Insert and fit the bus connection cable into the connector of the module to be connected until it "clicks". After fitting, check for looseness. Not doing so can cause a malfunction due to a connection fault.

#### [STARTUP AND MAINTENANCE PRECAUTIONS]



- Do not change the switch setting during to the be in operation. Doing so can cause a malfunction.
- Before starting cleaning, always shut off GOT power externally in all phases. Not doing so can cause a module failure or malfunction.



- Do not disassemble or modify any module. This will cause failure, malfunction, injuries, or fire.
- Do not touch the conductive areas and electronic parts of this module directly. Doing so can cause a module malfunction or failure.
- Always secure the cables connected to the module, e.g. run them in conduits or clamp them. Not doing so can cause module or cable damage due to dangling, moved or accidentally pulled cables or can cause a malfunction due to a cable contact fault.
- Do not hold the cable part when unplugging any cable connected to the module. Doing so can cause module or cable damage or a malfunction due to a cable contact fault.
- Before handling the unit, touch a grounded metal or similar object to discharge the static electricity from the human body. Failure to do so may cause the unit to fail or malfunction.

#### [DISPOSAL PRECAUTIONS]

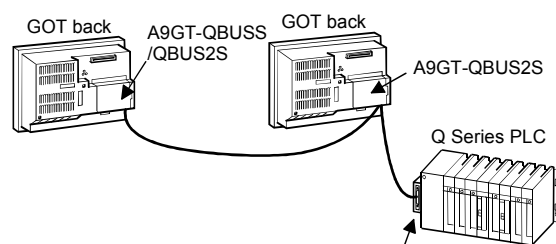


- Dispose of this product as industrial waste.

## 1. OVERVIEW

This User's Manual describes the A9GT-QBUS2S type Multidrop Bus connection communication board (hereinafter, A9GT-QBUS2S). The A9GT-QBUS2S is used to connect more than one A985GOT (-V)/A975GOT/A970GOT/ A960GOT (hereinafter, GOT) to one PLC system of the Q Series via a bus.

When one GOT is connected, this module can also be used (When you are planning to connect more than one GOT in the future, we recommend you to use this module.)



A9GT-QCNB type Bus extension connector box (Necessary when the distance between GOT and the base unit exceed 13.2m, it is .)

When A9GT-QBUS2S is used, it is necessary to set the increased number of stages and the I/O slot number.

Setting is made in the "Setup" of the utility feature of GOT.

Refer to the GOT-A900 Series User's Manual (Connection System Manual) for the configuration of the bus connection system and setting.

\* When using A9GT-QBUS2S, version A or higher or the SW3D5C-GOTRE-PACK is required.

\* A9GT-QBUS2S can be used only with QCPU (Q mode).

After opening the box, check that the following items are present.

Description	Quantity	
A9GT-QBUS2S	1	
Communication board mounting screw	M3×10	1
	M3×6	1
GOT mounting fixture	1	

## 2. SPECIFICATION

Item	Specification	
I/O occupied points	16 points (I/O assignment: intelligent 16 points)	
Internal consumed current [mA]	CPU 5VDC	47*1 (247*2)
	GOT 5VDC	Included in GOT
Weight [kg] (lb)	0.1 (0.2)	

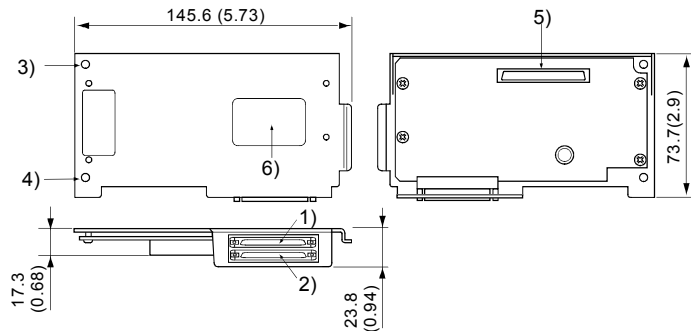
\*1 The power supply of PLC CPU is the current consumed while turned on when the power supply of GOT is turned off.

(The power supply is supplied from the GOT side and PLC CPU side.)

\*2 The power supply of GOT is the current consumed while turned on when the power supply of PLC CPU is turned off.

(The power supply is supplied from the PLC CPU side.)

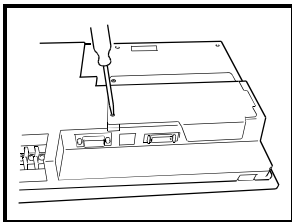
## 3. NAME OF THE PARTS AND OUTLINE DIMENSION DRAWING



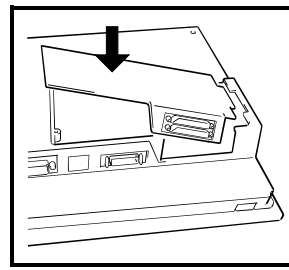
unit: mm (inch)

No.	Name	Description
1)	Bus connection cable connecting Interface	Interface for connection of the bus connection cable (IN side)
2)	Bus connection cable connecting Interface	Interface for connection of the bus connection cable (OUT side)
3)	Communication board mounting screw hole	For inserting the M3×10 screw (36 to 48N·cm) included with this product
4)	Communication board mounting screw hole	For inserting the M3×6 screw (36 to 48N·cm) included with this product
5)	Connector	Connector for connection to the GOT
6)	Rating plate	-

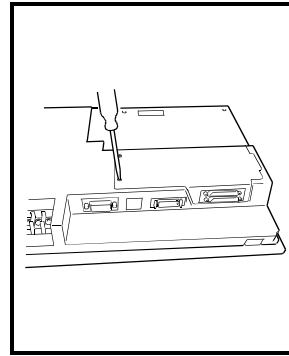
## 4. INSTALLATION PROCEDURE



- Loosen the mounting screws (2 pcs.) which secure the slot cover. Remove the slot cover. Save the removed slot cover.



- Insert the protruding portion of the A9GT-QBUS2S into the recessed portion of the GOT. Securely press the communication board against the GOT.

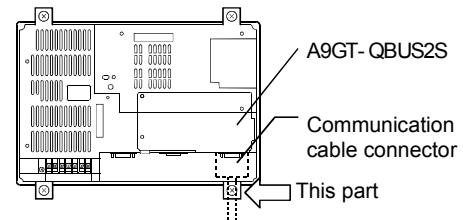


- Tighten and fix the mounting screws (2 pcs.) of the A9GT-QBUS2S within the specified torque range.(36 to 48N·cm) (3.2 to 4.2 lb·inch)
- To remove the A9GT-QBUS2S, reverse the installing procedure. To install the slot cover, also reverse the removing procedure. Here, securely install the slot cover, and securely tighten the mounting screws (2 pcs.) within the specified torque range.(36 to 48N·cm) (3.2 to 4.2 lb·inch)

When A9GT-QBUS2S is used, the mounting fixture of the GOT interferes with the connector due to the shape of the communication cable connector.

Please substitute for the mounting fixture included in this product and use the mounting fixture as shown in diagram below.

Back side of GOT main unit



### Warranty

Mitsubishi will not be held liable for damage caused by factors found not to be the cause of Mitsubishi; machine damage or lost profits caused by faults in the Mitsubishi products; damage, secondary damage, accident compensation caused by special factors unpredictable by Mitsubishi; damages to products other than Mitsubishi products; and to other duties.

### For safe use

- This product has been manufactured as a general-purpose part for general industries, and has not been designed or manufactured to be incorporated in a device or system used in purposes related to human life.
- Before using the product for special purposes such as nuclear power, electric power, aerospace, medicine or passenger movement vehicles, consult with Mitsubishi.
- This product has been manufactured under strict quality control. However, when installing the product where major accidents or losses could occur if the product fails, install appropriate backup or failsafe functions in the system.

Country/Region	Sales office/Tel	Country/Region	Sales office/Tel
U.S.A	Mitsubishi Electric Automation Inc. 500 Corporate Woods Parkway Vernon Hills, IL 60061 Tel : +1-847-478-2100	Hong Kong	Ryoden Automation Ltd. 10th Floor, Manulife Tower, 169 Electric Road, North Point, HongKong Tel : +852-2887-8870
Brazil	MELCO-TEC Rep. Com.e Assessoria Tecnica Ltda. Rua Correia Dias, 184, Edificio Paraiso Trade Center-8 andar Paraiso, Sao Paulo, SP Brazil Tel : +55-11-5908-8331	China	Ryoden Automation Shanghai Ltd. 3F Block5 Building Automation Instrumentation Plaza 103 Cao Bao Rd. Shanghai 200233 China Tel : +86-21-6120-0808
Germany	Mitsubishi Electric Europe B.V. German Branch Gotheer Strasse 8 D-40880 Ratingen, GERMANY Tel : +49-2102-486-0	Taiwan	Setsuyo Enterprise Co., Ltd. 6F., No.105 Wu-Kung 3rd.RD., Wu-Ku Hsiang, Taipei Hsine, Taiwan Tel : +886-2-2299-2499
U.K	Mitsubishi Electric Europe B.V. UK Branch Travellers Lane, Hatfield, Herts., AL10 8XB,UK Tel : +44-1707-276100	Korea	HAN NEUNG TECHNO CO.,LTD. 1F Dong Seo Game Channel Bldg., 660-11, Deungchon-dong Kangsec-ku, Seoul, Korea Tel : +82-2-3660-9552
Italy	Mitsubishi Electric Europe B.V. Italian Branch Centro Dir. Colleoni, Pal. Perseo-Ingr.2 Via Paracelso 12, 20041 Agrate B., Milano, Italy Tel : +39-039-6053344	Singapore	Mitsubishi Electric Asia Pte. Ltd. 307 Alexandra Road #05-01/02, Mitsubishi Electric Building Singapore 159943 Tel : +65-6473-2308
Spain	Mitsubishi Electric Europe B.V. Spanish Branch Carretera de Rubi 76-80 08190 Sant Cugat del Valles, Barcelona, Spain Tel : +34-93-9568-3131	Thailand	F. A. Tech Co.,Ltd. 898/28,29,30 S.V.City Building,Office Tower 2,Floor 17-18 Rama 3 Road, Bangkokpong, Yannawa, Bangkok 10120 Tel : +66-2-682-6522
France	Mitsubishi Electric Europe B.V. French Branch 25 Boulevard des Bouvets, F-92741 Nanterre Cedex, France TEL: +33-1-5568-5568	Indonesia	P.T. Autoteknindo SUMBER MAKMUR Jl. Muara Karang Selatan Blok a Utara No 1 Kav. No.11 Kawasan Industri Perjudangan Jakarta - Utara 14440 Tel : +62-21-663-0833
South Africa	Circuit Breaker Industries LTD. Tripswitch Drive, Elandsfontein Gauteng, South Africa Tel : +27-11-928-2000	India	Messung Systems Put.Ltd. Electronic Sadan NO:111 Unit No15, M.I.D.C BHOSARI,PUNE-411026, India Tel : +91-20-712-2807
		Australia	Mitsubishi Electric Australia Pty. Ltd. 348 Victoria Road, PostalBag, No 2, Rydalmere, N.S.W.2116, Australia Tel : +61-2-9684-7777

**MITSUBISHI ELECTRIC CORPORATION**

HEAD OFFICE: TOKYO BUILDING, 2-3 MARUNOUCHI, CHITOSAKU, TOKYO 100-8585, JAPAN  
MAGOYA WORKS: 1-14, YAZA-MINAMI 5-CHOME, HIGASHI-KU, MAGOYA, JAPAN

When exported from Japan, this manual does not require application to the Ministry of Economy, Trade and Industry for service transaction permission.

Specifications subject to change without notice.  
Printed in Japan on recycled paper.