



PROGRAMMABLE CONTROLLERS
MELSEC-F

FX3U-4AD-ADP

USER'S MANUAL

Manual Number	JY997D13901
Revision	L
Date	April 2015



This manual describes the part names, dimensions, mounting, and specifications of the product. Before use, read this manual and the manuals of all relevant products fully to acquire proficiency in handling and operating the product. Make sure to learn all the product information, safety information, and precautions. Store this manual in a safe place so that it can be taken out and read whenever necessary. Always forward it to the end user.

Registration:
The company and product names described in this manual are registered trademarks or the trademarks of their respective companies.

Effective April 2015
Specifications are subject to change without notice.
© 2005 Mitsubishi Electric Corporation

Safety Precaution (Read these precautions before use.)

This manual classifies the safety precautions into two categories:

WARNING and **CAUTION**.

WARNING	Indicates that incorrect handling may cause hazardous conditions, resulting in death or severe injury.
CAUTION	Indicates that incorrect handling may cause hazardous conditions, resulting in medium or slight personal injury or physical damage.

Depending on the circumstances, procedures indicated by **CAUTION** may also cause severe injury. It is important to follow all precautions for personal safety.

Associated Manuals

Manual name	Manual No.	Description
FX3S/FX3G/FX3GC/FX3U/FX3UC Series User's Manual - Analog Control Edition	JY997D16701 MODEL CODE: 09R619	Describes specifications for analog control and programming method for FX3S/FX3G/FX3GC/FX3U/FX3UC Series PLC.
FX3S/FX3G/FX3GC/FX3U/FX3UC Series Programming Manual - Basic & Applied Instruction Edition	JY997D16601 MODEL CODE: 09R517	Describes PLC programming for basic/applied instructions and devices.
FX3S Series User's Manual - Hardware Edition	JY997D48601 MODEL CODE: 09R535	Explains FX3S Series PLC specifications for I/O, wiring, installation, and maintenance.
FX3G Series User's Manual - Hardware Edition	JY997D31301 MODEL CODE: 09R521	Explains FX3G Series PLC specifications for I/O, wiring, installation, and maintenance.
FX3GC Series User's Manual - Hardware Edition	JY997D45401 MODEL CODE: 09R533	Explains FX3GC Series PLC specifications for I/O, wiring, installation, and maintenance.
FX3U Series User's Manual - Hardware Edition	JY997D16501 MODEL CODE: 09R516	Explains FX3U Series PLC specifications for I/O, wiring, installation, and maintenance.
FX3UC Series User's Manual - Hardware Edition	JY997D28701 MODEL CODE: 09R519	Explains FX3UC Series PLC specifications for I/O, wiring, installation, and maintenance.

How to obtain manuals
For product manuals or documents, consult with the Mitsubishi Electric dealer from who you purchased your product.

Applicable standards

FX3U-4AD-ADP units made in June, 2005 or later comply with the EC Directive (EMC Directive) and UL standards (UL, cUL). Further information can be found in the following manual.

- FX3S Series Hardware Manual (Manual No. JY997D48301)
- FX3G Series Hardware Manual (Manual No. JY997D46001)
- FX3GC Series Hardware Manual (Manual No. JY997D45201)
- FX3U Series Hardware Manual (Manual No. JY997D18801)
- FX3UC (D, DS, DSS) Series Hardware Manual (Manual No. JY997D28601)
- FX3UC-32MT-LT-2 Hardware Manual (Manual No. JY997D31601)

Regarding the standards that relate to the main unit, please refer to either the FX series product catalog or consult with your nearest Mitsubishi product provider.

Attention

- This product is designed for use in industrial applications.

Note

- Authorized Representative in the European Community:
Mitsubishi Electric Europe B.V.
Gothaer Str. 8, 40880 Ratingen, Germany

Caution for EC Directive

The analog special adapters have been found to be compliant to the European standards in the aforesaid manual and directive. However, for the very best performance from what are in fact delicate measuring and controlled output device Mitsubishi Electric would like to make the following points;

As analog devices are sensitive by nature, their use should be considered carefully. For users of proprietary cables (integral with sensors or actuators), these users should follow those manufacturers installation requirements. Mitsubishi Electric recommend that shielded cables should be used. If NO other EMC protection is provided, then users may experience temporary loss or accuracy between ±10 % in very heavy industrial areas. However, Mitsubishi Electric suggest that if adequate EMC precautions are followed for the users complete control system, users should expect accuracy as specified in this manual.

- Sensitive analog cable should not be laid in the same trunking or cable conduit as high voltage cabling. Where possible users should run analog cables separately.
- Good cable shielding should be used. When terminating the shield at Earth - ensure that no earth loops are accidentally created.
- When reading analog values, EMC accuracy can be improved out by averaging the readings. This can be achieved either through functions on the analog special adapters or through a users program.

1. Outline

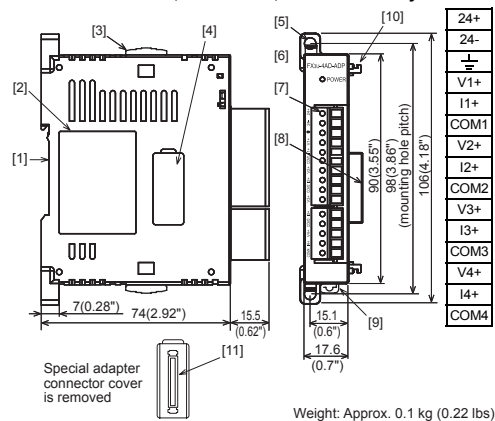
The FX3U-4AD-ADP special adapter for analog input (hereinafter called 4AD-ADP) is a special adapter to add four analog input points.

1.1 Incorporated Items

Verify that the following product and items are included in the package:

Product	FX3U-4AD-ADP analog input special adapter
Accessories	User's manual (This manual)

1.2 External Dimensions, Part Names, and Terminal Layout



- [1] DIN rail mounting groove (DIN rail: DIN46277)
- [2] Name plate
- [3] Special adapter slide lock:
Used to connect additional special adapters onto the left side of this special adapter.
- [4] Special adapter connector cover:
Remove this cover to connect additional special adapters to the left side.
- [5] Direct mounting hole: 2 holes of $\phi 4.5$ (0.18") (mounting screw: M4 screw)
Not used when connecting to FX3GC/FX3UC Series PLC.
- [6] POWER LED (green):
Lit while 24 V DC power is supplied properly to terminals '24+' and '24-'.
- [7] Terminal block (European type):
Connect the analog voltage/current signal, and 24 V DC power supply.
- [8] Special adapter connector:
Used to connect this special adapter to PLC main unit or special adapter.
- [9] DIN rail mounting hook
- [10] Special adapter fixing hook
- [11] Special adapter connector:
Used to connect communication or analog special adapters to the left side of the 4AD-ADP.

2. Installation

For installation/uninstallation details, refer to the respective PLC User's manual Hardware Edition.

INSTALLATION PRECAUTIONS

WARNING

- Make sure to cut off all phases of the power supply externally before attempting installation or wiring work.
Failure to do so may cause electric shock or damage to the product.

INSTALLATION PRECAUTIONS

CAUTION

- Use the product within the generic environment specifications described in PLC main unit manual (Hardware Edition).
Never use the product in areas with excessive dust, oily smoke, conductive dusts, corrosive gas (salt air, Cl₂, H₂S, SO₂, or NO₂), flammable gas, vibration or impacts, or expose it to high temperature, condensation, or rain and wind.
If the product is used in such conditions, electric shock, fire, malfunctions, deterioration or damage may occur.
- When drilling screw holes or wiring, make sure cutting or wire debris does not enter the ventilation slits.
Failure to do so may cause fire, equipment failures or malfunctions.
- Do not touch the conductive parts of the product directly.
Doing so may cause device failures or malfunctions.
- Connect special adapter securely to their designated connectors.
Loose connections may cause malfunctions.

2.1 Connection to the PLC

This section describes the connection method to the PLC (FX3U Series PLC is used for the following example).

For installation method to other PLCs, refer to the respective PLC User's manual Hardware Edition.

Procedure

- 1) Turn off the power.
Disconnect all the cables connected to the PLC main unit and special adapter, and demount the main unit and special adapter mounted on DIN rail or mounted directly using screws.

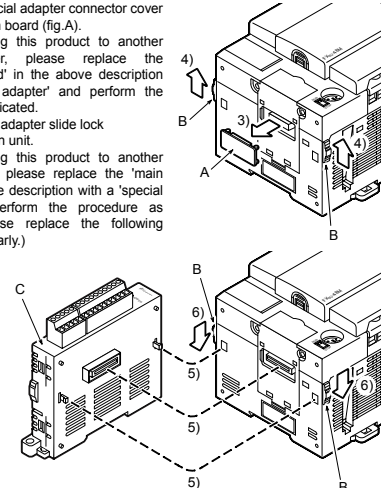
- 2) Install an expansion board to the main unit.
For the expansion board installation procedure, refer to the following manual:
→ FX3U Series User's Manual - Hardware Edition

- 3) Remove the special adapter connector cover on the expansion board (fig.A).
When connecting this product to another special adapter, please replace the 'expansion board' in the above description with a 'special adapter' and perform the procedure as indicated.

- 4) Slide the special adapter slide lock (fig.B) of the main unit.
When connecting this product to another special adapter, please replace the 'main unit' in the above description with a 'special adapter' and perform the procedure as indicated. (Please replace the following procedures similarly.)

- 5) Connect the special adapter (fig.C) to the main unit as shown on the right.

- 6) Slide back the special adapter slide lock (fig.B) of the main unit to fix the special adapter (fig.C).



Connection precautions

Connect all the high-speed I/O special adapters before connecting other special adapters when they are used in combination.
Do not connect a high-speed I/O special adapter on the left side of any special adapters other than other high-speed I/O special adapters.

3. Wiring

WARNING

WIRING PRECAUTIONS

- Make sure to cut off all phases of the power supply externally before attempting installation or wiring work. Failure to do so may cause electric shock or damage to the product.

CAUTION

WIRING PRECAUTIONS

- When drilling screw holes or wiring, make sure cutting or wire debris does not enter the ventilation slits. Failure to do so may cause fire, equipment failures or malfunctions.
- Make sure to observe the following precautions in order to prevent any damage to the machinery or accidents due to abnormal data written to the PLC under the influence of noise:
 - Do not bundle the power line or shield of the analog input/output cable together with or lay it close to the main circuit, high-voltage line, or load line. Otherwise, noise disturbance and/or surge induction are likely to take place. As a guideline, lay the control line at least 100mm (3.94") or more away from the main circuit, high-voltage line, or load line.
 - Ground the shield of the analog input/output cable at one point on the signal receiving side. However, do not use common grounding with heavy electrical systems.
- Make sure to properly wire to the terminal block (European type) in accordance with the following precautions. Failure to do so may cause electric shock, equipment failures, a short-circuit, wire breakage, malfunctions, or damage to the product.
 - The disposal size of the cable end should follow the dimensions described in the manual.
 - Tightening torque should follow the specifications in the manual.
 - Twist the end of strand wire and make sure that there are no loose wires.
 - Do not solder-plate the electric wire ends.
 - Do not connect more than the specified number of wires or electric wires of unspecified size.
 - Affix the electric wires so that neither the terminal block nor the connected parts are directly stressed.
- Make sure to properly wire the terminal block in accordance with the following precautions. Failure to do so may cause electric shock, equipment failures, a short-circuit, wire breakage, malfunctions, or damage to the product.
 - The disposal size of the cable end should follow the dimensions described in the manual of the PLC main unit.
 - Tightening torque should follow the specifications in the manual of the PLC main unit.

3.1 Applicable Cable and Terminal Tightening Torque

3.1.1 Terminal block (European type)

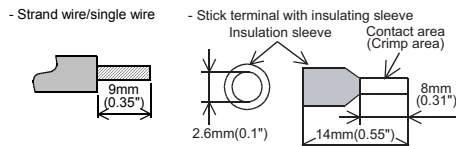
- Wire size
Wiring to analog device should use 20-22 AWG wire.
- Applicable cable

Type	Wire size
Single-wire	0.3 mm ² to 0.5 mm ² (AWG22 to 20)
2-wire	2 pieces of 0.3 mm ² (AWG22)

- Termination of cable end
Strip the coating of strand wire and twist the cable core before connecting it, or strip the coating of single wire before connecting it. An alternative connection is to use a ferrule with insulating sleeve.
<Reference>

Manufacturer	Model	Caulking tool
Phoenix Contact Co., Ltd.	AI 0.5-8WH	CRIMPFOX 6 ^{*1} (or CRIMPFOX 6T-F ^{*2})

- *1 Old model name: CRIMPFOX ZA 3
*2 Old model name: CRIMPFOX UD 6



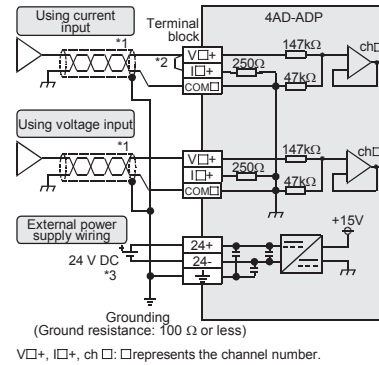
When using a stick terminal with insulating sleeve, choose a wire with proper cable sheath referring to the above outside dimensions, or otherwise, the wire cannot be inserted easily. The tightening torque must be 0.22 to 0.25 N·m. Do not tighten terminal screws exceeding the specified torque. Failure to do so may cause equipment failures or malfunctions.

3.2 Power Supply Wiring

For the power supply wiring, refer to the following manual.
→ FX3S/FX3G/FX3GC/FX3U/FX3UC Series User's Manual - Analog Control Edition

3.3 Wiring of Analog Input

→ For the terminal configuration, refer to Section 1.2

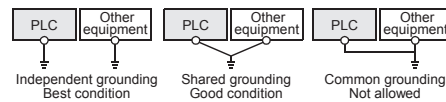


- Use 2-core shielded twisted pair cable for the analog input lines, and separate the analog input lines from other power lines or inductive lines.
- Make sure to short-circuit the 'V+' and 'I+' terminals when current is input. (□: input channel number)
- 24 V DC service power supply of the FX3S/FX3G/FX3U Series PLC can also be used.

3.4 Grounding

Grounding should be performed as stated below.

- The grounding resistance should be 100 Ω or less.
- Independent grounding should be performed for best results. When independent grounding is not performed, perform "shared grounding" of the following figure. For details, refer to the respective PLC User's manual Hardware Edition.



- The grounding wire size should be AWG 22-20 (0.3-0.5 mm²).
- The grounding point should be close to the PLC, and all grounding wire should be as short as possible.

4. Specifications

STARTUP AND MAINTENANCE PRECAUTIONS

CAUTION

- Do not disassemble or modify the PLC. Doing so may cause fire, equipment failures, or malfunctions. * For repair, contact your local Mitsubishi Electric representative.
- Do not drop the product or exert strong impact to it. Doing so may cause damage.

DISPOSAL PRECAUTIONS

CAUTION

- Please contact a certified electronic waste disposal company for the environmentally safe recycling and disposal of your device.

TRANSPORTATION AND STORAGE PRECAUTIONS

CAUTION

- The product is a precision instrument. During transportation, avoid any impacts. Failure to do so may cause failures in the product. After transportation, verify the operations of the product.

4.1 Applicable PLC

Model name	Applicability
FX3S Series PLC	Ver. 1.00 or later (from first production)
FX3G Series PLC	Ver. 1.00 or later (from first production)
FX3GC Series PLC	Ver. 1.40 or later (from first production)
FX3U Series PLC	Ver. 2.20 or later (from first production)
FX3UC Series PLC	Ver. 1.20 or later (from the production manufactured in May, 2004 with SER No. 45****)

The version number can be checked by monitoring D8001/D8101 as the last three digits indicate it.

4.2 General Specifications

Items other than the following are equivalent to the those of the PLC main unit. For general specifications, refer to the respective PLC User's manual Hardware Edition.

Item	Specification
Dielectric withstand voltage	500 V AC for one minute
Insulation resistance	5 MΩ or more by 500 V DC megger

4.3 Power Supply Specifications

Item	Specification
A/D conversion circuit driving power	24 V DC +20 %/-15 %, 40 mA for 24 V DC Connect a 24 V DC power supply to the terminal block.
Interface driving power	5 V DC, 15 mA 5 V DC power is supplied from the internal power supply of main unit.

4.4 Performance Specifications

Item	Description	
	Voltage input	Current input
Analog input range	0 to 10 V DC (Input resistance: 194 kΩ)	4 to 20 mA DC (Input resistance: 250 Ω)
Maximum absolute input	-0.5 V, +15 V	-2 mA, +30 mA
Digital output	12 bits, binary	11 bits, binary
Resolution	2.5 mV (10 V/4000)	10 μA (16 mA/1600)
Total accuracy	<ul style="list-style-type: none"> ±0.5 % (±50 mV) for full scale of 10 V (when ambient temperature is 25 °C±5 °C) ±1.0 % (±100 mV) for full scale of 10 V (when ambient temperature is 0 °C to 55 °C) 	<ul style="list-style-type: none"> ±0.5 % (±80 μA) for full scale of 16 mA (when ambient temperature is 25 °C±5 °C) ±1.0 % (±160 μA) for full scale of 16 mA (when ambient temperature is 0 °C to 55 °C)
A/D conversion time	<ul style="list-style-type: none"> FX3U/FX3UC Series PLC: 200 μs (The data will be updated at every scan time of the PLC.) FX3S/FX3G/FX3GC Series PLC: 250 μs (The data will be updated at every scan time of the PLC.) 	
Input characteristics		
Insulation method	<ul style="list-style-type: none"> The photocoupler is adopted to insulate the analog input area from the PLC. The DC/DC converter is adopted to insulate the power supply line from the analog input area. Channels are not insulated from each other. 	
Occupied points	0 point (This number is not related to the maximum number of input/output points of the PLC.)	

This manual confers no industrial property rights or any rights of any other kind, nor does it confer any patent licenses. Mitsubishi Electric Corporation cannot be held responsible for any problems involving industrial property rights which may occur as a result of using the contents noted in this manual.

Warranty
Mitsubishi will not be held liable for damage caused by factors found not to be the cause of Mitsubishi; opportunity loss or lost profits caused by faults in the Mitsubishi products; damage, secondary damage, accident compensation caused by special factors unpredictable by Mitsubishi; damages to products other than Mitsubishi products; and to other duties.

For safe use

- This product has been manufactured as a general-purpose part for general industries, and has not been designed or manufactured to be incorporated in a device or system used in purposes related to human life.
- Before using the product for special purposes such as nuclear power, electric power, aerospace, medicine or passenger movement vehicles, consult with Mitsubishi Electric.
- This product has been manufactured under strict quality control. However when installing the product where major accidents or losses could occur if the product fails, install appropriate backup or failsafe functions in the system.



JAPANESE ENGLISH

PROGRAMMABLE CONTROLLERS MELSEC-F

FX3U-4AD-ADP

USER'S MANUAL

FX3U

Table with Manual Number, Revision, and Date.

This manual describes the part names, dimensions, mounting, and specifications of the product.

Effective April 2015. Specifications are subject to change without notice.

Safety Precaution (Read these precautions before use.)

Table with WARNING and CAUTION sections detailing safety procedures.

Depending on the circumstances, procedures indicated by CAUTION may also cause severe injury.

Associated Manuals

Table listing various manuals such as FX3S Series User's Manual, FX3G Series User's Manual, etc.

How to obtain manuals: For product manuals or documents, consult with the Mitsubishi Electric dealer from who you purchased your product.

Applicable standards

FX3U-4AD-ADP units made in June, 2005 or later comply with the EC Directive (EMC Directive) and UL standards (UL, cUL).

- List of applicable manuals for FX3S, FX3G, and FX3UC series.

Regarding the standards that relate to the main unit, please refer to either the FX series product catalog or consult with your nearest Mitsubishi product provider.

Attention: This product is designed for use in industrial applications.

Note: Authorized Representative in the European Community: Mitsubishi Electric Europe B.V.

Caution for EC Directive: The analog special adapters have been found to be compliant to the European standards in the aforesaid manual and directive.

1. Outline: The FX3U-4AD-ADP special adapter for analog input (hereinafter called 4AD-ADP) is a special adapter to add four analog input points.

1.1 Incorporated Items

Table listing product (FX3U-4AD-ADP) and accessories (User's manual).

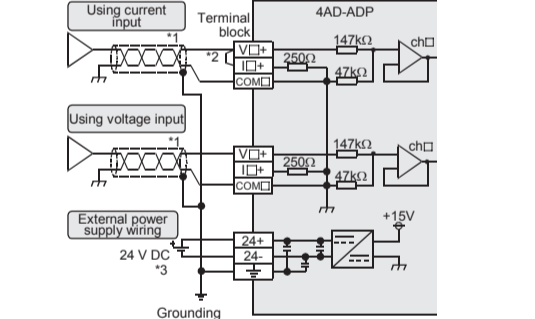
INSTALLATION PRECAUTIONS WARNING: Make sure to cut off all phases of the power supply externally before attempting installation or wiring work.

INSTALLATION PRECAUTIONS CAUTION: Use the product within the generic environment specifications described in PLC main unit manual.

3.2 Power Supply Wiring

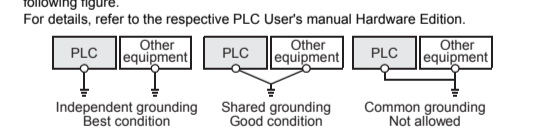
For the power supply wiring, refer to the following manual. FX3S/FX3G/FX3GC/FX3U/FX3UC Series User's Manual - Analog Control Edition

3.3 Wiring of Analog Input



- 1* Use 2-core shielded twisted pair cable for the analog input lines, and separate the analog input lines from other power lines or inductive lines. 2* Make sure to short-circuit the 'V+' and 'I+' terminals when current is input. 3* 24 V DC service power supply of the FX3S/FX3G/FX3U Series PLC can also be used.

3.4 Grounding: Grounding should be performed as stated below. The grounding resistance should be 100 Ω or less.



The grounding wire size should be AWG 22-20 (0.3-0.5 mm²). The grounding point should be close to the PLC, and all grounding wire should be as short as possible.

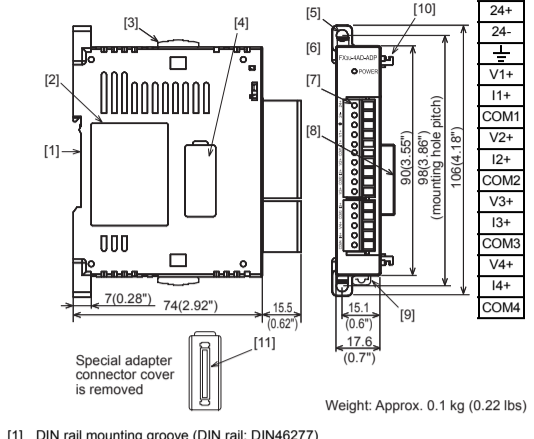
4. Specifications

STARTUP AND MAINTENANCE PRECAUTIONS CAUTION: Do not disassemble or modify the PLC. Doing so may cause fire, equipment failures, or malfunctions.

DISPOSAL PRECAUTIONS CAUTION: Please contact a certified electronic waste disposal company for the environmentally safe recycling and disposal of your device.

TRANSPORTATION AND STORAGE PRECAUTIONS CAUTION: The product is a precision instrument. During transportation, avoid any impacts.

1.2 External Dimensions, Part Names, and Terminal Layout

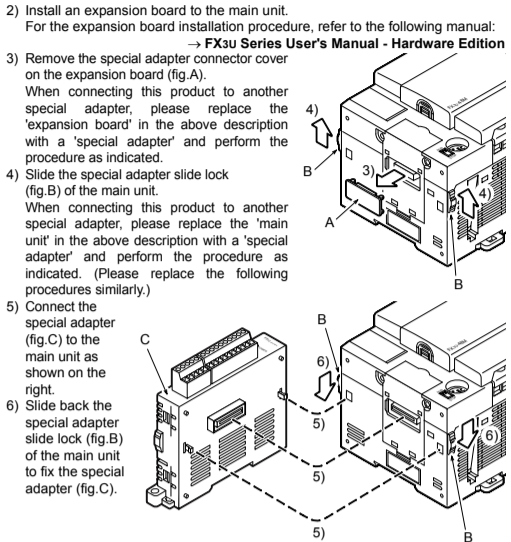


- [1] DIN rail mounting groove (DIN rail: DIN46277) [2] Name plate [3] Special adapter slide lock [4] Special adapter connector cover [5] Direct mounting hole: 2 holes of φ4.5 (0.18") (mounting screw: M4 screw) [6] POWER LED (green): Lit while 24 V DC power is supplied properly to terminals '24+' and '24-'. [7] Terminal block (European type): Connect the analog voltage/current signal, and 24 V DC power supply. [8] Special adapter connector: Used to connect this special adapter to PLC main unit or special adapter. [9] DIN rail mounting hook [10] Special adapter fixing hook [11] Special adapter connector: Used to connect communication or analog special adapters to the left side of the 4AD-ADP.

2.1 Connection to the PLC

This section describes the connection method to the PLC (FX3U Series PLC is used for the following example).

- 1) Turn off the power. Disconnect all the cables connected to the PLC main unit and special adapter, and demount the main unit and special adapter mounted on DIN rail or mounted directly using screws.



Connection precautions: Connect all the high-speed I/O special adapters before connecting other special adapters when they are used in combination.

3. Wiring

WIRING PRECAUTIONS WARNING: Make sure to cut off all phases of the power supply externally before attempting installation or wiring work.

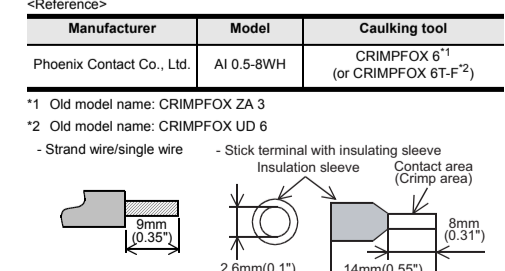
WIRING PRECAUTIONS CAUTION: When drilling screw holes or wiring, make sure cutting or wire debris does not enter the ventilation slits.

3.1 Applicable Cable and Terminal Tightening Torque

- 3.1.1 Terminal block (European type) 1) Wire size: Wiring to analog device should use 20-22 AWG wire. 2) Applicable cable:

Table for applicable cable types and wire sizes.

- 3) Termination of cable end: Strip the coating of strand wire and twist the cable core before connecting it, or strip the coating of single wire before connecting it.



When using a stick terminal with insulating sleeve, choose a wire with proper cable sheath referring to the above outside dimensions, or otherwise, the wire cannot be inserted easily.

4.1 Applicable PLC

Table mapping PLC models to their applicability.

The version number can be checked by monitoring D8001/D8101 as the last three digits indicate it.

4.2 General Specifications

Table showing general specifications like dielectric withstand voltage and insulation resistance.

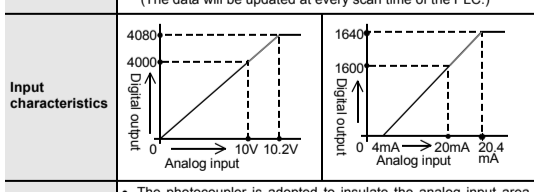
4.3 Power Supply Specifications

Table showing power supply specifications for A/D conversion and interface driving power.

4.4 Performance Specifications

Table showing performance specifications for analog and digital input/output.

Table showing A/D conversion time for different PLC models.



Insulation method: The photocoupler is adopted to insulate the analog input area from the PLC.

Occupied points: 0 point (This number is not related to the maximum number of input/output points of the PLC.)

This manual confers no industrial property rights or any rights of any other kind, nor does it confer any patent licenses.

Warranty: Mitsubishi will not be held liable for damage caused by factors found not to be the cause of Mitsubishi; opportunity loss or lost profits caused by faults in the Mitsubishi products; damage, secondary damage, accident compensation.

For safe use: This product has been manufactured as a general-purpose part for general industries, and has not been designed or manufactured to be incorporated in a device or system used in purposes related to human life.