

MITSUBISHI

GOT1000 STAND

User's Manual

GT15-90STAND
GT15-80STAND
GT15-70STAND
GT05-50STAND

Thank you for purchasing the GOT1000 Series.

Prior to use, please read both this manual and detailed manual thoroughly to fully understand the product.

MODEL	GT15-STAND-U
MODEL CODE	1D7M00
IB(NA)-0800294-E(0901)MEE	

GRAPHIC OPERATION TERMINAL
GOT1000

SAFETY PRECAUTIONS

(Always read these precautions before using this equipment.)

Before using this product, please read this manual and the relevant manuals introduced in this manual carefully and pay full attention to safety to handle the product correctly.

The precautions given in this manual are concerned with this product.

In this manual, the safety precautions are ranked as "DANGER" and "CAUTION".

DANGER Indicates that incorrect handling may cause hazardous conditions, resulting in death or severe injury.

CAUTION Indicates that incorrect handling may cause hazardous conditions, resulting in medium or slight personal injury or physical damage.

Note that the CAUTION level may lead to a serious accident according to the circumstances.

Always follow the precautions of both levels because they are important to personal safety.

Please save this manual to make it accessible when required and always forward it to the end user.

INSTALLATION PRECAUTIONS

DANGER

- Make sure to externally shut off the all phases of the system power supply before mounting/removing the GOT onto/from the stand. Failure to do so may cause the unit to fail or malfunction.

CAUTION

- Use this stand in an environment which satisfies the general specifications described in GT16 User's Manual or GT15 User's Manual. Using in an environment other than that satisfies the general specifications may cause an electric shock, a fire, or damage or deterioration to the GOT.
- Be careful not to get your finger caught when removing the angle adjusting screws from the stand and adjusting the mounting angle.
- When mounting the GOT onto the stand, fix it with the mounting fixtures securely and tighten the screws in the specified torque range. Loose tightening may cause the GOT to drop off from the stand.
- Make sure that mounting angle is 45, 55, 65 or 75 degrees, when adjusting the mounting angel with the GOT mounted on the stand. If mounting angle is set to other than above, the GOT bottom may interfere with the stand bottom, resulting in the GOT damage.

DISPOSAL PRECAUTIONS

CAUTION

- Dispose of this product as industrial waste.

Manuals

The following shows manuals relevant to this product.

Detailed Manual

Manual name	Manual number (Type code)
GT16 User's Manual (Sold separately)	SH-080778ENG (1D7M88)
GT15 User's Manual (Sold separately)	SH-080528ENG (1D7M23)

Relevant Manuals

For relevant manuals, refer to the PDF manuals stored in the GT Designer2 CD-ROM.

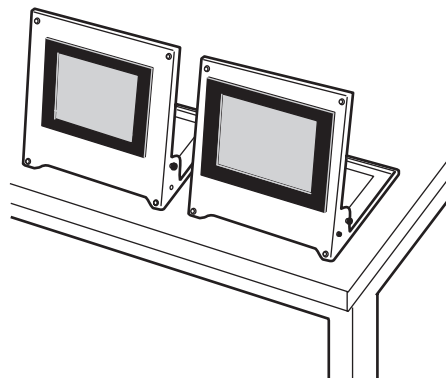
© 2004 MITSUBISHI ELECTRIC CORPORATION

1. Overview

This User's Manual describes the GOT1000 series stand (hereafter abbreviated to the stand). Refer to GT16 User's Manual or GT15 User's Manual for the applicable GOT.

Product name	Model name	Description
Stand	GT15-90STAND	For 15" GOT
	GT15-80STAND	For 12.1" GOT
	GT15-70STAND	For 10.4", 8.4" GOT
	GT05-50STAND	For 5.7" GOT

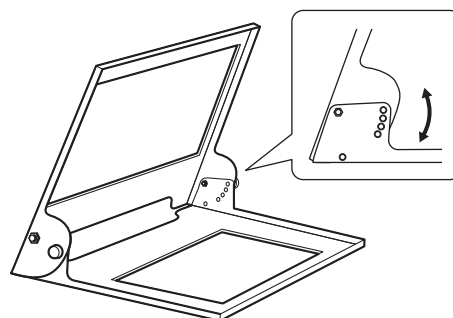
The stand is useful for debugging the GOT screen data, as it can set the GOT at a proper angle on a table.



2. How to Use Stand

- (1) GT15-90STAND, GT15-80STAND, GT15-70STAND

- 1) Adjust the mounting angle with the angle adjusting screw.



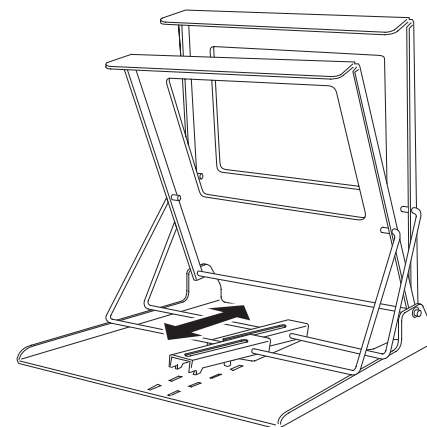
(For GT15-70STAND)

- 2) Put the GOT into the Stand from the front and fix it using the fixtures.
For the GOT mounting method, refer to GT16 User's Manual or GT15 User's Manual.

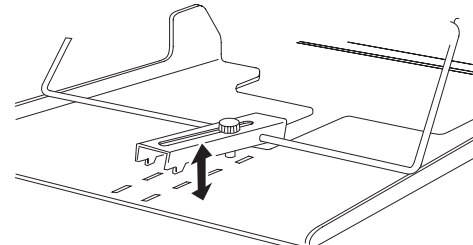
- 3) After the installation, perform wiring, etc.

- (2) GT05-50STAND

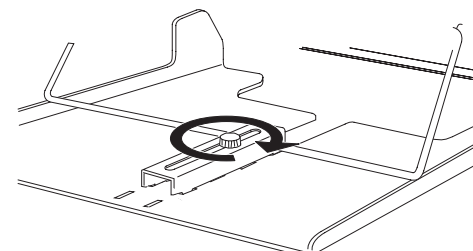
- 1) Determine the angle for installing the GOT.
Slide the angle adjustment fitting as shown below to determine the angle.
The angle can be adjusted to 75°, 65°, 55° or 45°. When installing multiple units to the GOT, use the stand with 75 or 65 degrees for securing lead-in allowances for cables at the bottom of the GOT.



- 2) Once the angle is determined, insert the angle adjustment fitting's fixing hook into the hook insertion section on the bottom of the stand.



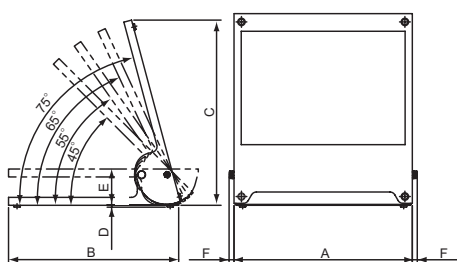
- 3) Securely tighten the fixing screw.



- 4) Insert the GOT from the front of Stand and install it to Stand.
Refer to GT16 User's Manual or GT15 User's Manual for details on installing the GOT.

- 5) After the installation, perform wiring, etc.

3. External Dimensions



(The above is the GT15-70STAND)

Model name	Type of GOT mounted	A	B	C*	D	E	F
GT15-90STAND	When 15" GOT is mounted	444 (17.5)	200 (7.9)	364 (14.3)	4 (0.16)	65 (2.56)	8.7 (0.34)
GT15-80STAND	When 12.1" GOT is mounted	334 (13.1)	200 (7.9)	345 (13.6)	4 (0.16)	63 (2.48)	8.7 (0.34)
GT15-70STAND	When 10.4" GOT is mounted	314 (12.4)	300 (11.8)	327 (12.9)	4 (0.16)	63 (2.48)	8.7 (0.34)
	When 8.4" GOT is mounted	314 (12.4)	335 (13.2)	294 (11.6)	4 (0.16)	63 (2.48)	8.7 (0.34)
GT05-50STAND	When 5.7" GOT is mounted	210 (0.83)	260 (10.24)	254 (10)	4 (0.16)	40 (1.57)	5 (0.2)

Unit: mm (inch)

* Dimensions for mounting angle of 75 degrees

Model name	Weight
GT15-90STAND	1.7kg(3.7lb)
GT15-80STAND	1.9kg(4.2lb)
GT15-70STAND	1.5kg(3.3lb)
GT05-50STAND	1.1kg(2.4lb)

Warranty

Mitsubishi will not be held liable for damage caused by factors found not to be the cause of Mitsubishi; machine damage or lost profits caused by faults in the Mitsubishi products; damage, secondary damage, accident compensation caused by special factors unpredictable by Mitsubishi; damages to products other than Mitsubishi products; and to other duties.

For safe use

- This product has been manufactured as a general-purpose part for general industries, and has not been designed or manufactured to be incorporated in a device or system used in purposes related to human life.
- Before using the product for special purposes such as nuclear power, electric power, aerospace, medicine or passenger movement vehicles, consult with Mitsubishi.
- This product has been manufactured under strict quality control. However, when installing the product where major accidents or losses could occur if the product fails, install appropriate backup or failsafe functions in the system.

Country/Region Sales office/Tel

U.S.A	Mitsubishi Electric Automation Inc. 500 Corporate Woods Parkway Vernon Hills, IL 60061 Tel : +1-847-478-2100
Brazil	MELCO-TEC Rep. Com.e Assessoria Tecnica Ltda. Rua Correia Dias, 184, Edificio Paraiso Trade Center-8 andar Paraiso, Sao Paulo, SP Brazil Tel : +55-11-5908-8331
Germany	Mitsubishi Electric Europe B.V. German Branch Golthaer Strasse 9 D-40880 Ratingen, GERMANY Tel : +49-2102-486-0
U.K	Mitsubishi Electric Europe B.V. UK Branch Travellers Lane, Hatfield, Herts., AL10 8XB,UK Tel : +44-1707-276100
Italy	Mitsubishi Electric Europe B.V. Italian Branch Centro Dir. Colleoni, Pal. Perseo-Ingr.2 Via Paracelso 12, 20041 Agrate B., Milano, Italy Tel : +39-039-6053344
Spain	Mitsubishi Electric Europe B.V. Spanish Branch Carretera de Rubi 76-80 08190 - Sant Cugat del Valles, Barcelona, Spain Tel : +34-93-565-3131
France	Mitsubishi Electric Europe B.V. French Branch 25 Boulevard des Bouvelts, F-92741 Nanterre Cedex, France TEL: +33-1-5568-5568
South Africa	Circuit Breaker Industries LTD. Tripswitch Drive, Elandsfontein Gauteng, South Africa Tel : +27-11-928-2000
Hong Kong	Ryoden Automation Ltd. 10th Floor, Manulife Tower, 169 Electric Road, North Point, HongKong Tel : +852-2887-8870
China	Ryoden Automation Shanghai Ltd. 3F Block5 Building Automation Instrumentation Plaza 103 Cao Bao Rd. Shanghai 200233 China Tel : +86-21-6120-0808
Taiwan	Settsuyo Enterprise Co., Ltd. 6F., No.105 Wu-Kung 3rd.RD, Wu-Ku Hsiang, Taipei Hsine, Taiwan Tel : +886-2-2299-2499
Korea	HAN NEUNG TECHNO CO.,LTD. 1F Dong Seo Game Channel Bldg.,660-11, Deungchon-dong Kangseo-ku, Seoul, Korea Tel : +82-2-3660-9552
Singapore	Mitsubishi Electric Asia Pte. Ltd. 307 Alexandra Road #05-01/02, Mitsubishi Electric Building Singapore 159943 Tel : +65-6473-2308
Thailand	F. A. Tech Co.,Ltd. 898/28,29,30 S.V.City Building,Office Tower 2, Floor 17-18 Rama 3 Road, Bangkokpangang, Yannawa, Bangkok 10120 Tel : +66-2-692-8522
Indonesia	P.T. Autoteknindo SUMBER MAKMUR Jl. Muara Karang Selatan Block a Utara No.1 Kav. No.11 Kawasan Industri/Pengudangan Jakarta - Utara 14440 Tel : +62-21-663-0833
India	Messung Systems Pvt.Ltd. Electronic Sadan NO:111 Unit No15, M.I.D.C BHOSARI, PUNE-411026, India Tel : +91-20-712-2807
Australia	Mitsubishi Electric Australia Pty. Ltd. 348 Victoria Road, PostalBag, No 2, Rydalmere, N.S.W 2116, Australia Tel : +61-2-9684-7777

MITSUBISHI ELECTRIC CORPORATION

HEAD OFFICE : TOKYO BUILDING, 2-7-3 MARINOUCHI, CHYODA-KU, TOKYO 100-8310, JAPAN
NAGOYA WORKS : 1-14, YADA-MINAMI 5-CHOME, HIGASHI-KU, NAGOYA, JAPAN

When exported from Japan, this manual does not require application to the Ministry of Economy, Trade and Industry for service transaction permission.

Specifications subject to change without notice.
Printed in Japan.