

**mitsubishi**  
**TRANSISTORIZED AC SERVO**  
**MELSERVO-PRU01**

**SPECIFICATIONS/INSTRUCTION MANUAL**

Thank you for choosing the Mitsubishi transistorized AC servo MELSERVO-PRU01 parameter unit.

This instruction manual gives the installation method and fundamental information. The parameter unit is interactive to ensure extremely easy operation. Before using the parameter unit, please read this manual carefully to use the equipment to its optimum. For details of the operation method, etc., see the servo amplifier instruction manual.

## 1. INSTALLATION

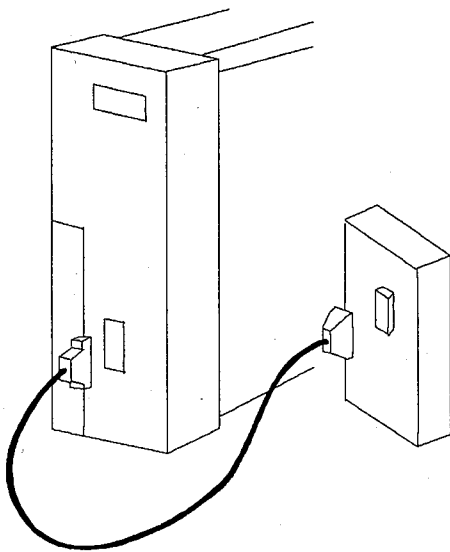
The MR-PRU01 cannot be installed directly to the servo amplifier. The dedicated cable (MR-PRUCBL) shown below must be used for wiring.

Use any of the parameter unit cables (MR-PRUCBL) of 1m, 3m and 5m available according to the application, distance, etc.

### (1) Connection

As shown below, securely insert one connector of the cable into the MR-PRU01 and the other connector into CN4 of the servo amplifier. The connectors for the MR-PRU01 and servo amplifier are different in type and cannot be inserted into the non-corresponding units.

To insert the connectors properly, check their guides and shapes and insert the connectors far enough in the correct direction. The connector for the servo amplifier can be fixed by the accessory screws and the connector for the MR-PRU01 can be secured by the dedicated tapping screws supplied with the cable.



## 2. SPECIFICATIONS

Item	Specifications	
Ambient temperature	Operating	0 to +55°C
	Storage	- 20 to +65°C
Ambient humidity	90%RH max. non-condensing	
Operating environment	No oil mist, corrosive gas and dust	
Power supply	Powered by the servo amplifier	
Connection	By means of the connectors of the dedicated cable	
Display	Liquid crystal display (13 characters × 4 lines)	
Operation	24 operation keys (membrane covered)	
Outline dimensions	127 (H) × 70 (W) × 12 (D)	Unit: mm
Number of write times	Max. 100,000 times	

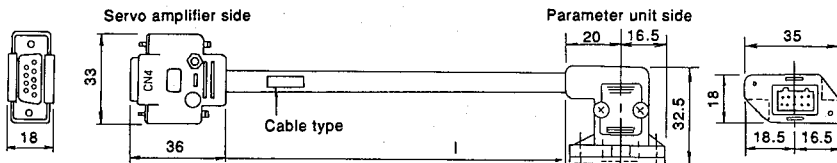
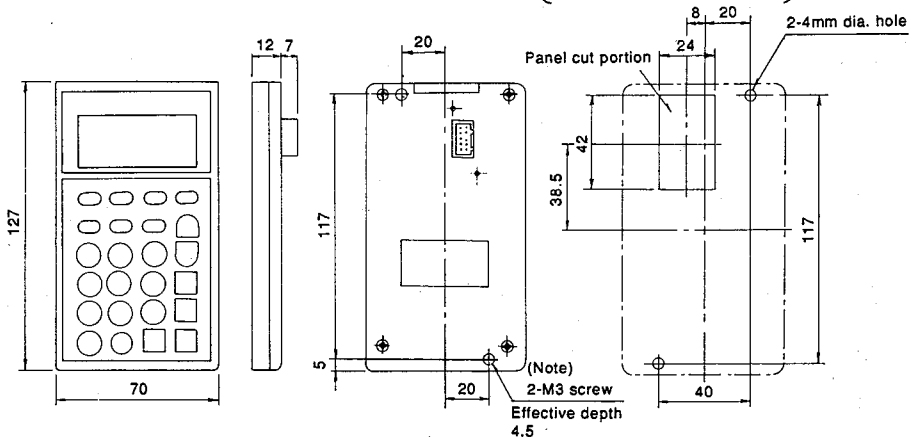
For the number of write times, the count is incremented by 1 every time the display is switched between Japanese and English or every time the copy function is used.

# 3. OUTLINE DRAWING

Unit: mm

Panel cutting dimensions for use when the parameter unit is installed to a panel, etc.

(Installation dimension diagram as seen the PU front)



Type	Cable length l (m)
MR-PRUCBL1M	1
MR-PRUCBL3M	3
MR-PRUCBL5M	5