

Programmable Terminal DeviceNet Interface Unit NT-DRT21

Connect to DeviceNet Using a NT31/631-series Programmable Terminal as a Slave.

- Supports connection to three different PT (Programmable Terminal) models from the medium-sized NT31 to the large NT631 for a wider selection of display devices.
- The compact Interface Unit mounts directly to the back of the PT without taking up any unnecessary space.
- Enables both remote I/O communications and message communications.



Ordering Information

Applicable PT	Number of I/O points	Power supply voltage	Model
NT31/NT31C Series NT631 Series	64 words (8 words are used for the PT status control area and PT status notify area.)	24 VDC	NT-DRT21

General Specifications

Rated power supply voltage	24 VDC (Supplied from Programmable Terminal)
Allowable power supply voltage range	20.4 to 26.4 VDC (24 VDC +10%/-15%)
I/F power consumption *1	NT31/31C PT with Expansion Interface: 15 W max. NT631C PT with Expansion Interface: 18 W max.
Communications power supply *2	30 mA max.
Ambient operating temperature	0°C to 50°C
Ambient storage temperature	-20°C to 60°C
Ambient operating humidity	35% to 85 % max. (with no condensation)
Ambient operating atmosphere	No corrosive gases
Noise immunity	Conforms to IEC 61000-4-4, 2 kV (power line)
Vibration resistance (operating)	10 to 57 Hz with 0.075-mm single amplitude, 57 to 150 Hz with acceleration 9.8 m/s ² for 30 minutes each in X, Y, and Z directions
Shock resistance (operating)	147 m/s ² , 3 times each in X, Y, and Z directions
Dimensions	96 x 91 x 20 mm (W x H x D) (Total thickness when Interface Unit is mounted to PT: 74 mm)
Weight	350 g max.

*1. Power is supplied from the NT31/31C/631C-series PT. The figures for power consumption given above are for both the Interface Unit and the PT combined. The power consumption for the NT-DRT21 is 1 W max.
*2. The power consumption for DeviceNet communications is 0.75 W max. (supplied separately).

Function Specifications

Remote I/O communications	I/O area data: 64 words (This includes 5 input words and 3 output words used as the PT status communications area.)
Message communications	Reading/writing (transfer of character string memory table entries, numeral memory table entries, or bit memory table entries)
Software specifications	The following software can be used: NT-series Support Tool Version 4 Interface Unit's System Program Version 2.1 or higher

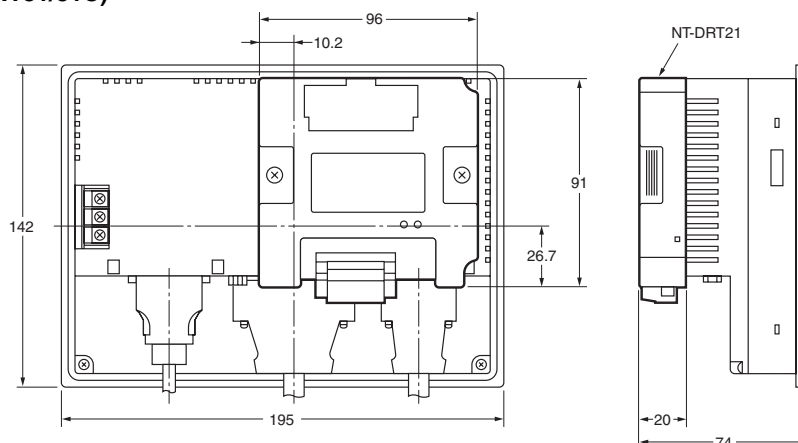
DeviceNet Communications Specifications

Communications power supply voltage	11 to 25 VDC
Maximum I/O points	64CH

Dimensions

(Unit: mm)

NT-DRT21 (Mounted to NT31/31C)



For detailed NT31/631-series PT specifications, refer to the *NT31/631-series Programmable Terminals Catalog (V052)* or *NT31/631-series Programmable Terminals Operation Manual (V060)*.

Read and Understand This Catalog

Please read and understand this catalog before purchasing the products. Please consult your OMRON representative if you have any questions or comments.

Warranty and Limitations of Liability

WARRANTY

OMRON's exclusive warranty is that the products are free from defects in materials and workmanship for a period of one year (or other period if specified) from date of sale by OMRON.

OMRON MAKES NO WARRANTY OR REPRESENTATION, EXPRESS OR IMPLIED, REGARDING NON-INFRINGEMENT, MERCHANTABILITY, OR FITNESS FOR PARTICULAR PURPOSE OF THE PRODUCTS. ANY BUYER OR USER ACKNOWLEDGES THAT THE BUYER OR USER ALONE HAS DETERMINED THAT THE PRODUCTS WILL SUITABLY MEET THE REQUIREMENTS OF THEIR INTENDED USE. OMRON DISCLAIMS ALL OTHER WARRANTIES, EXPRESS OR IMPLIED.

LIMITATIONS OF LIABILITY

OMRON SHALL NOT BE RESPONSIBLE FOR SPECIAL, INDIRECT, OR CONSEQUENTIAL DAMAGES, LOSS OF PROFITS OR COMMERCIAL LOSS IN ANY WAY CONNECTED WITH THE PRODUCTS, WHETHER SUCH CLAIM IS BASED ON CONTRACT, WARRANTY, NEGLIGENCE, OR STRICT LIABILITY.

In no event shall the responsibility of OMRON for any act exceed the individual price of the product on which liability is asserted.

IN NO EVENT SHALL OMRON BE RESPONSIBLE FOR WARRANTY, REPAIR, OR OTHER CLAIMS REGARDING THE PRODUCTS UNLESS OMRON'S ANALYSIS CONFIRMS THAT THE PRODUCTS WERE PROPERLY HANDLED, STORED, INSTALLED, AND MAINTAINED AND NOT SUBJECT TO CONTAMINATION, ABUSE, MISUSE, OR INAPPROPRIATE MODIFICATION OR REPAIR.

Application Considerations

SUITABILITY FOR USE

OMRON shall not be responsible for conformity with any standards, codes, or regulations that apply to the combination of products in the customer's application or use of the products.

At the customer's request, OMRON will provide applicable third party certification documents identifying ratings and limitations of use that apply to the products. This information by itself is not sufficient for a complete determination of the suitability of the products in combination with the end product, machine, system, or other application or use.

The following are some examples of applications for which particular attention must be given. This is not intended to be an exhaustive list of all possible uses of the products, nor is it intended to imply that the uses listed may be suitable for the products:

- Outdoor use, uses involving potential chemical contamination or electrical interference, or conditions or uses not described in this catalog.
- Nuclear energy control systems, combustion systems, railroad systems, aviation systems, medical equipment, amusement machines, vehicles, safety equipment, and installations subject to separate industry or government regulations.
- Systems, machines, and equipment that could present a risk to life or property.

Please know and observe all prohibitions of use applicable to the products.

NEVER USE THE PRODUCTS FOR AN APPLICATION INVOLVING SERIOUS RISK TO LIFE OR PROPERTY WITHOUT ENSURING THAT THE SYSTEM AS A WHOLE HAS BEEN DESIGNED TO ADDRESS THE RISKS, AND THAT THE OMRON PRODUCTS ARE PROPERLY RATED AND INSTALLED FOR THE INTENDED USE WITHIN THE OVERALL EQUIPMENT OR SYSTEM.

PROGRAMMABLE PRODUCTS

OMRON shall not be responsible for the user's programming of a programmable product, or any consequence thereof.

Disclaimers

CHANGE IN SPECIFICATIONS

Product specifications and accessories may be changed at any time based on improvements and other reasons.

It is our practice to change model numbers when published ratings or features are changed, or when significant construction changes are made. However, some specifications of the products may be changed without any notice. When in doubt, special model numbers may be assigned to fix or establish key specifications for your application on your request. Please consult with your OMRON representative at any time to confirm actual specifications of purchased products.

DIMENSIONS AND WEIGHTS

Dimensions and weights are nominal and are not to be used for manufacturing purposes, even when tolerances are shown.

PERFORMANCE DATA

Performance data given in this catalog is provided as a guide for the user in determining suitability and does not constitute a warranty. It may represent the result of OMRON's test conditions, and the users must correlate it to actual application requirements. Actual performance is subject to the OMRON Warranty and Limitations of Liability.

ERRORS AND OMISSIONS

The information in this document has been carefully checked and is believed to be accurate; however, no responsibility is assumed for clerical, typographical, or proofreading errors, or omissions.

2009.8

In the interest of product improvement, specifications are subject to change without notice.

OMRON Corporation
Industrial Automation Company

<http://www.ia.omron.com/>

(c)Copyright OMRON Corporation 2009 All Right Reserved.