

Weighing Indicator K3HB-V

CSM_K3HB-V_DS_E_7_2



An Ideal Indicator for OK/NG Judgements in Automated and Picking Machines, Measuring Factors such as Pressure, Load, Torque, and Weight Using Load Cell Signal Input.

- Easy recognition of judgement results using color display that can be switched between red and green. *
- Equipped with a position meter for monitoring operating status trends.
- External event input allows use in various measurement and discrimination applications.
- Input 0.001 mVDC or higher (0.000 to 19.999 mV range supported). External power takeoff of 100 mA at 10 VDC provided. (Models with 5-VDC power takeoff also available.)
- Series expanded to include DeviceNet models.
- Short body with depth of only 95 mm (from behind the front panel), or 97 mm for DeviceNet models.
- UL certification approval (Certification Mark License).
- CE Marking conformance by third party assessment body.
- Water-resistant enclosure conforms to NEMA 4X (equivalent to IP66).
- Capable of high-speed sampling at 50 times per second (20 ms)
- Easy-to-set two-point scaling allows conversion and display of any user-set values.
- * Visual confirmation of judgement results is not supported on models that do not have an output or models that do not support DeviceNet.
You can change the display color by setting it, but you cannot switch it based on the judgement results.



For the most recent information on models that have been certified for safety standards, refer to your OMRON website.

Refer to *Safety Precautions for All Digital Panel Meters.*

Model Number Structure

Model Number Legend

Base Units and Optional Boards can be ordered individually or as sets.

Base Units

K3HB-V
1 5

1. Input Sensor Code

LC: Load cell input (DC low-voltage input)

5. Supply Voltage

100-240 VAC: 100 to 240 VAC
24 VAC/VDC: 24 VAC/VDC

Optional Boards

Sensor Power Supply/Output Boards

K33-
2

Relay/Transistor Output Boards

K34-
3

Event Input Boards

K35-
4

Note: 1. CPB, CPE can be combined with relay outputs only.
2. Only one of the following can be used by each Digital Indicator: RS-232C/RS-485 communications, a linear output, or DeviceNet communications.

Accessories (Sold Separately)

K32-DICN: Special Cable (for event inputs, with 8-pin connector)
K32-BCD: Special BCD Output Cable

Base Units with Optional Boards

K3HB-V -
1 2 3 4 5

2. Sensor Power Supply/Output Type Code

- None: None
CPB: Relay output (PASS: SPDT) + Sensor power supply (10 VDC +/-5%, 100 mA) (See note 1.)
L1B: Linear current output (0 to 20 or 4 to 20 mA DC) + Sensor power supply (10 VDC +/-5%, 100 mA) (See note 2.)
L2B: Linear voltage output (0 to 5, 1 to 5, or 0 to 10 VDC) + Sensor power supply (10 VDC +/-5%, 100 mA) (See note 2.)
B: Sensor power supply (10 VDC +/-5%, 100 mA)
FLK1B: Communications (RS-232C) + Sensor power supply (10 VDC +/-5%, 100 mA) (See note 2.)
FLK3B: Communications (RS-485) + Sensor power supply (10 VDC +/-5%, 100 mA) (See note 2.)
CPE: Relay output (PASS: SPDT) + Sensor power supply (5 VDC +/-5%, 100 mA) (See note 1.)
L1E: Linear current output (DC0(4) -20 mA) + Sensor power supply (5 VDC +/-5%, 100 mA) (See note 2.)
L2E: Linear voltage output (DC0(1) -5 V, 0-10 V) + Sensor power supply (5 VDC +/-5%, 100 mA) (See note 2.)
E: Sensor power supply (5 VDC +/-5%, 100 mA)
FLK1E: Communications (RS-232C) + Sensor power supply (5 VDC +/-5%, 100 mA) (See note 2.)
FLK3E: Communications RS-485) + Sensor power supply (5 VDC +/-5%, 100 mA) (See note 2.)

3. Relay/Transistor Output Type Code

- None: None
C1: Relay contact (H/L: SPDT each)
C2: Relay contact (HH/H/LL/L: SPST-NO each)
T1: Transistor (NPN open collector: HH/H/PASS/L/LL)
T2: Transistor (PNP open collector: HH/H/PASS/L/LL)
BCD *: BCD output + transistor output (NPN open collector: HH/H/PASS/L/LL)
DRT: DeviceNet (See note 2.)
* A Special BCD Output Cable (sold separately) is required.

4. Event Input Type Code

- None: None
1: 5 inputs (M3 terminal blocks), NPN open collector
2: 8 inputs (10-pin MIL connector), NPN open collector
3: 5 inputs (M3 terminal blocks), PNP open collector
4: 8 inputs (10-pin MIL connector), PNP open collector

Rubber Packing

| Model |
|--------|
| K32-P1 |

Note: Rubber packing is provided with the Controller.

Specifications

■ Ratings

| | | |
|--|---|---|
| Power supply voltage | | 100 to 240 VAC (50/60 Hz), 24 VAC/VDC, DeviceNet power supply: 24 VDC |
| Allowable power supply voltage range | | 85% to 110% of the rated power supply voltage, DeviceNet power supply: 11 to 25 VDC |
| Power consumption (See note 1.) | | 100 to 240 V: 18 VA max. (max. load) 24 VAC/DC: 11 VA/7 W max. (max. load) |
| Current consumption | | DeviceNet power supply: 50 mA max. (24 VDC) |
| Input | | DC voltage |
| A/D conversion method | | Delta-Sigma method |
| External power supply | | 10 VDC \pm 5%, 100 mA (models with external power supply only) or 5 VDC, 100 mA (models with external power supply only) |
| Event inputs (See note 2.) | Timing input | NPN open collector or no-voltage contact signal ON residual voltage: 3 V max. ON current at 0 Ω : 17 mA max. Max. applied voltage: 30 VDC max. OFF leakage current: 1.5 mA max. |
| | Startup compensation timer input | NPN open collector or no-voltage contact signal ON residual voltage: 2 V max. ON current at 0 Ω : 4 mA max. |
| | Hold input | Max. applied voltage: 30 VDC max. OFF leakage current: 0.1 mA max. |
| | Reset input | |
| | Forced-zero input | |
| | Bank input | |
| Output ratings (depends on the model) | Relay output | 250 VAC, 30 VDC, 5 A (resistive load) Mechanical life expectancy: 5,000,000 operations, Electrical life expectancy: 100,000 operations |
| | Transistor output | Maximum load voltage: 24 VDC, Maximum load current: 50 mA, Leakage current: 100 μ A max. |
| | Linear output | Linear output 0 to 20 mA DC, 4 to 20 mA DC: Load: 500 Ω max, Resolution: Approx. 10,000, Output error: \pm 0.5% FS Linear output 0 to 5 VDC, 1 to 5 VDC, 0 to 10 VDC: Load: 5 k Ω max, Resolution: Approx. 10,000, Output error: \pm 0.5% FS (1 V or less: \pm 0.15 V; no output for 0 V or less) |
| Display method | | Negative LCD (backlit LED) display 7-segment digital display (Character height: PV: 14.2 mm (green/red); SV: 4.9 mm (green)) |
| Main functions | | Scaling function, measurement operation selection, averaging, previous average value comparison, forced-zero, zero-limit, output hysteresis, output OFF delay, output test, teaching, display value selection, display color selection, key protection, bank selection, display refresh period, maximum/minimum hold, reset |
| Ambient operating temperature | | -10 to 55°C (with no icing or condensation) |
| Ambient operating humidity | | 25% to 85% |
| Storage temperature | | -25 to 65°C (with no icing or condensation) |
| Altitude | | 2,000 m max. |
| Accessories | | Watertight packing, 2 fixtures, terminal cover, unit stickers, operation manual. DeviceNet models also include a DeviceNet connector (Hirose HR31-5.08P-5SC(01)) and crimp terminals (Hirose HR31-SC-121) (See note 3.) |

Note: 1. DC power supply models require a control power supply capacity of approximately 1 A per Unit when power is turned ON. Particular attention is required when using two or more DC power supply models. The OMRON S8VS-series DC Power Supply Unit is recommended.

2. PNP input types are also available.

3. For K3HB-series DeviceNet models, use only the DeviceNet Connector included with the product. The crimp terminals provided are for Thin Cables.

■ Characteristics

| | | |
|---|---|---|
| Display range | -19,999 to 99,999 | |
| Sampling period | 20 ms (50 times/second) | |
| Comparative output response time | 100 ms max. | |
| Linear output response time | 150 ms max. | |
| Insulation resistance | 20 MΩ min. (at 500 VDC) | |
| Dielectric strength | 2,300 VAC for 1 min between external terminals and case | |
| Noise immunity | 100 to 240 VAC models: ±1,500 V at power supply terminals in normal or common mode (waveform with 1-ns rising edge and pulse width of 1 μs/100 ns) 24 VAC/VDC models: ±1,500 V at power supply terminals in normal or common mode (waveform with 1-ns rising edge and pulse width of 1 μs/100 ns) | |
| Vibration resistance | Frequency: 10 to 55 Hz; Acceleration: 50 m/s ² , 10 sweeps of 5 min each in X, Y, and Z directions | |
| Shock resistance | 150 m/s ² (100 m/s ² for relay outputs) 3 times each in 3 axes, 6 directions | |
| Weight | Approx. 300 g (Base Unit only) | |
| Degree of protection | Front panel | Conforms to NEMA 4X for indoor use (equivalent to IP66) |
| | Rear case | IP20 |
| | Terminals | IP00 + finger protection (VDE0106/100) |
| Memory protection | EEPROM (non-volatile memory) Number of rewrites: 100,000 | |
| Applicable standards | UL61010-1, CSA C22.2 No. 1010.1 (evaluated by UL) EN61010-1 (IEC61010-1): Pollution degree 2/Overvoltage category II EN61326: 1997, A1: 1998, A2: 2001 | |
| EMC | EMI: EN61326 industrial applications Electromagnetic radiation interference CISPR 11 Group 1, Class A Terminal interference voltage CISPR 11 Group 1, Class A EMS: EN61326 industrial applications Electrostatic Discharge Immunity EN61000-4-2: 4 kV (contact), 8 kV (in air) Radiated Electromagnetic Field Immunity EN61000-4-3: 10 V/m 1 kHz sine wave amplitude modulation (80 MHz to 1 GHz, 1.4 to 2 GHz) Electrical Fast Transient/Burst Immunity EN61000-4-4: 2 kV (power line), 1 kV (I/O signal line) Surge Immunity EN61000-4-5: 1 kV with line (power line), 2 kV with ground (power line) Conducted Disturbance Immunity EN61000-4-6: 3 V (0.15 to 80 MHz) Power Frequency Magnetic Immunity EN61000-4-8: 30 A/m (50 Hz) continuous time Voltage Dips and Interruptions Immunity EN61000-4-11: 0.5 cycle, 0°/180°, 100% (rated voltage) | |

Input Ranges (Measurement Range and Accuracy)

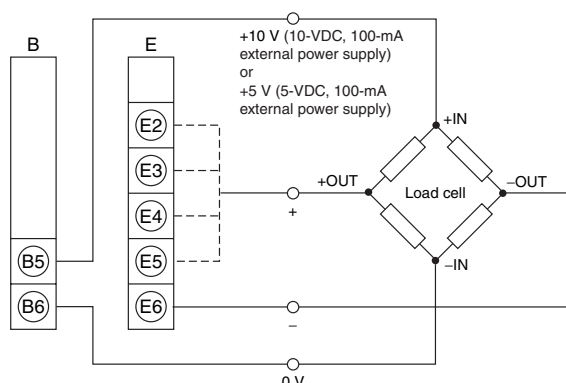
| Input type | Range | Set value | Measurement range | Input impedance | Accuracy | Allowable instantaneous overload (30 s) |
|---------------------------|-------|-----------|--------------------|-----------------|--------------------------|---|
| K3HB-VLC Load Cell, mV | A | R L L | 0.00 to 199.99 mV | 1 MΩ min. | ±0.1% rdg ±1 digit max. | ±200 V |
| | B | b L L | 0.000 to 19.999 mV | | ±0.1% rdg ±5 digits max. | |
| | C | L L L | ±100.00 mV | | ±0.1% rdg ±3 digits max. | |
| | D | d L L | ±199.99 mV | | ±0.1% rdg ±1 digit max. | |

Note: 1. The accuracy is for an ambient temperature of 23±5°C. For all ranges, 10% or less of max. input ±0.1% FS.
2. The letters “rdg” mean “reading.”

| Input type | R L L | b L L | L L L | d L L |
|---------------------------|---------------------|---------------------|----------------------|----------------------|
| Connected terminals | (E2) – (E6) | (E3) – (E6) | (E4) – (E6) | (E5) – (E6) |
| (mV) | 199.99 | | | 199.99 |
| 200.000 | | | | |
| 150.000 | | | | |
| 100.000 | | | | |
| 50.000 | | 19.999 | 100.00 | |
| 0.000 | | 0.000 | -100.00 | |
| -50.000 | | | | |
| -100.000 | | | | |
| -150.000 | | | | |
| -200.000 | | | | |
| Maximum measurement range | -19.99 to 219.99 mV | -1.999 to 21.999 mV | -110.00 to 110.00 mV | -199.99 to 219.99 mV |

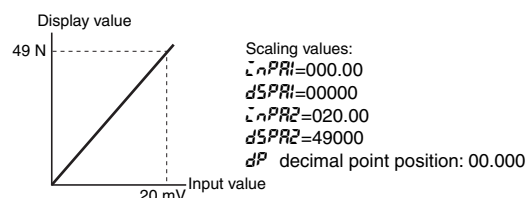
The area shown in dark shading indicates the factory setting.

Load Cell Wiring Example



Scaling Example Using Range A

Indicated on the K3HB-V as 0 to 49N in the load cell specifications (rated load 49N, recommended applied voltage 10 V, rated output 2 mV/V) (See note.)



Note: “2 mV/V” indicates a load cell output of 2 mV for 1 V applied voltage for the rated load (when using a load of 1 N). When the applied voltage is 10 V, the load cell output is 20 mV (2 mV × 10).
The precision can be increased by entering the A1 and A2 input values by teaching, and then scaling the results.

Common Specifications

Event Input Ratings

| Input type | S-TMR, HOLD, RESET, ZERO, BANK1, BANK2, BANK4 | TIMING |
|------------|--|---|
| Contact | ON: 1 k Ω max., OFF: 100 k Ω min. | --- |
| No-contact | ON residual voltage: 2 V max. OFF leakage current: 0.1 mA max. Load current: 4 mA max. Maximum applied voltage: 30 VDC max. | ON residual voltage: 3 V max. OFF leakage current: 1.5 mA max. Load current: 17 mA max. Maximum applied voltage: 30 VDC max. |

Output Ratings

Contact Output

| Item | Resistive loads (250 VAC, $\cos\phi=1$; 30 VDC, L/R=0 ms) | Inductive loads (250 VAC, closed circuit, $\cos\phi=0.4$; 30 VDC, L/R=7 ms) |
|----------------------------|--|---|
| Rated load | 5 A at 250 VAC 5 A at 30 VDC | 1 A at 250 VAC 1 A at 30 VDC |
| Rated through current | 5A | |
| Mechanical life expectancy | 5,000,000 operations | |
| Electrical life expectancy | 100,000 operations | |

Transistor Output

| | |
|----------------------|------------------|
| Maximum load voltage | 24 VDC |
| Maximum load current | 50 mA |
| Leakage current | 100 μ A max. |

Linear Output

| Item | 0 to 20 mA | 4 to 20 mA | 0 to 5 V | 1 to 5 V | 0 to 10 V |
|--------------------------|-------------------|------------|---|----------|-----------|
| Allowable load impedance | 500 Ω max. | | 5 k Ω min. | | |
| Resolution | Approx. 10,000 | | | | |
| Output error | $\pm 0.5\%$ FS | | $\pm 0.5\%$ FS (1 V or less: no output for ± 0.15 V; 0 V or less) | | |

Serial Communications Output

| Item | RS-232C, RS-485 |
|------------------------|------------------------------|
| Communications method | Half duplex |
| Synchronization method | Start-stop synchronization |
| Baud rate | 9,600, 19,200, or 38,400 bps |
| Transmission code | ASCII |
| Data length | 7 bits or 8 bits |
| Stop bit length | 2 bits or 1 bit |
| Error detection | Vertical parity and FCS |
| Parity check | Odd, even |

Note: For details on serial and DeviceNet communications, refer to the *Digital Indicator K3HB Communications User's Manual* (Cat.No. N129).

BCD Output I/O Ratings (Input Signal Logic: Negative)

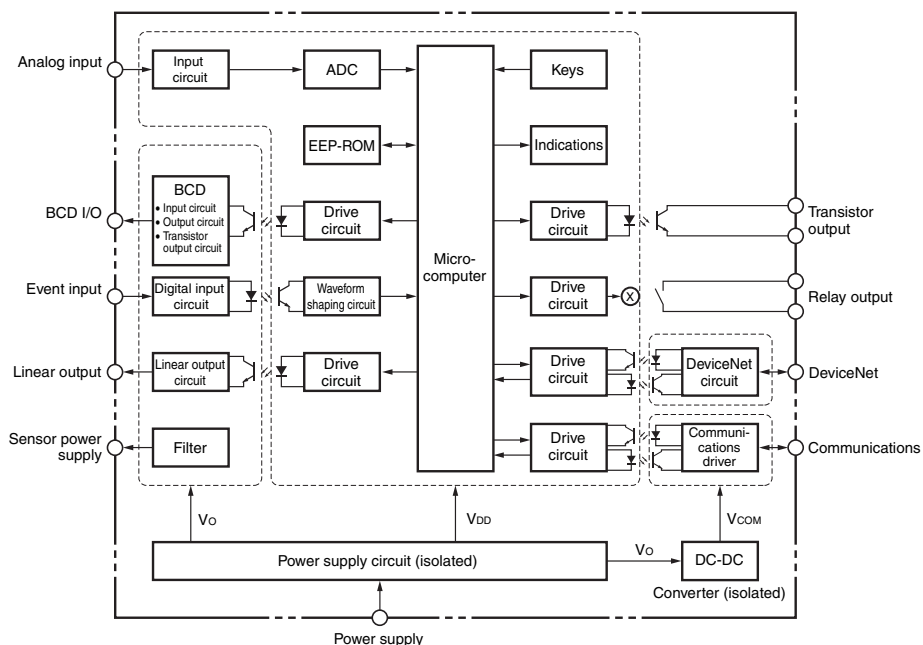
| I/O signal name | | Item | Rating | | |
|-----------------|------------|------------------------------------|--------------------------|-----------------|------------------|
| Inputs | REQUEST | Input signal | No-voltage contact input | | |
| | HOLD | Input current for no-voltage input | 10 mA | | |
| | MAX | Signal level | ON voltage | 1.5 V max. | |
| | MIN | | OFF voltage | 3 V min. | |
| RESET | | | | | |
| Outputs | DATA | Maximum load voltage | 24 VDC | | |
| | POLARITY | Maximum load current | 10 mA | | |
| | OVER | Leakage current | 100 μ A max. | | |
| | DATA VALID | | | | |
| | RUN | | | | |
| | | | | | |
| HH | H | PASS | Maximum load voltage | 24 VDC | |
| | | | Maximum load current | 50 mA | |
| | | L | LL | Leakage current | 100 μ A max. |
| | | | | | |

Note: For details on serial and DeviceNet communications, refer to the *Digital Indicator K3HB Communications User's Manual* (Cat.No. N129).

DeviceNet Communications

| Communications protocol | | Conforms to DeviceNet | | | | | | | | | | | | | | | | |
|--|----------------------------------|--|-------------------------------|-----------------------|-------------------------|-------------------------------|----------|---------------|-----|------|----------|---------------|-----|------|----------|---------------|-----|-------|
| Supported communications | Remote I/O communications | Master-Slave connection (polling, bit-strobe, COS, cyclic) Conforms to DeviceNet communications standards. | | | | | | | | | | | | | | | | |
| | I/O allocations | Allocate any I/O data using the Configurator. Allocate any data, such as DeviceNet-specific parameters and variable area for Digital Indicators. Input area: 2 blocks, 60 words max. Output area: 1 block, 29 words max. (The first word in the area is always allocated for the Output Execution Enabled Flags.) | | | | | | | | | | | | | | | | |
| | Message communications | Explicit message communications CompoWay/F communications commands can be executed (using explicit message communications) | | | | | | | | | | | | | | | | |
| Connection methods | | Combination of multi-drop and T-branch connections (for trunk and drop lines) | | | | | | | | | | | | | | | | |
| Baud rate | | DeviceNet: 500, 250, or 125 Kbps (automatic follow-up) | | | | | | | | | | | | | | | | |
| Communications media | | Special 5-wire cable (2 signal lines, 2 power supply lines, 1 shield line) | | | | | | | | | | | | | | | | |
| Communications distance | | <table border="1"> <thead> <tr> <th>Baud rate</th> <th>Network length (max.)</th> <th>Drop line length (max.)</th> <th>Total drop line length (max.)</th> </tr> </thead> <tbody> <tr> <td>500 Kbps</td> <td>100 m (100 m)</td> <td>6 m</td> <td>39 m</td> </tr> <tr> <td>250 Kbps</td> <td>100 m (250 m)</td> <td>6 m</td> <td>78 m</td> </tr> <tr> <td>125 Kbps</td> <td>100 m (500 m)</td> <td>6 m</td> <td>156 m</td> </tr> </tbody> </table> <p>The values in parentheses are for Thick Cable.</p> | Baud rate | Network length (max.) | Drop line length (max.) | Total drop line length (max.) | 500 Kbps | 100 m (100 m) | 6 m | 39 m | 250 Kbps | 100 m (250 m) | 6 m | 78 m | 125 Kbps | 100 m (500 m) | 6 m | 156 m |
| Baud rate | Network length (max.) | Drop line length (max.) | Total drop line length (max.) | | | | | | | | | | | | | | | |
| 500 Kbps | 100 m (100 m) | 6 m | 39 m | | | | | | | | | | | | | | | |
| 250 Kbps | 100 m (250 m) | 6 m | 78 m | | | | | | | | | | | | | | | |
| 125 Kbps | 100 m (500 m) | 6 m | 156 m | | | | | | | | | | | | | | | |
| Communications power supply | | 24-VDC DeviceNet power supply | | | | | | | | | | | | | | | | |
| Allowable voltage fluctuation range | | 11 to 25-VDC DeviceNet power supply | | | | | | | | | | | | | | | | |
| Current consumption | | 50 mA max. (24 VDC) | | | | | | | | | | | | | | | | |
| Maximum number of nodes | | 64 (DeviceNet Configurator is counted as one node when connected) | | | | | | | | | | | | | | | | |
| Maximum number of slaves | | 63 | | | | | | | | | | | | | | | | |
| Error control checks | | CRC errors | | | | | | | | | | | | | | | | |
| DeviceNet power supply | | Supplied from DeviceNet communications connector | | | | | | | | | | | | | | | | |

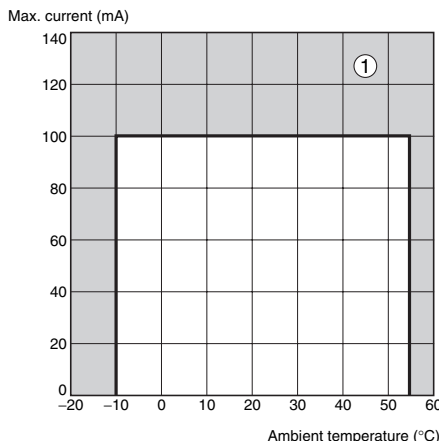
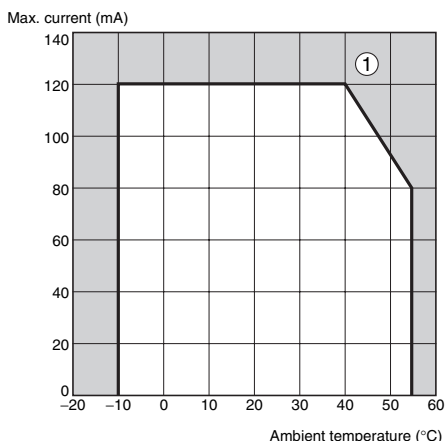
Internal Block Diagram



Power Supply Derating Curve for Sensor (Reference Value)

With 12 V

With 10 V



- Note:** 1. The above values are for standard mounting. The derating curve differs depending on the mounting conditions.
 2. Do not use the Sensor outside of the derating area (i.e., do not use it in the area labeled ① in the above graphics). Doing so may occasionally cause deterioration or damage to internal components.

Component Names and Functions

Max/Min status indicator

Turns ON when the maximum value or minimum value is displayed in the RUN level.

Level/bank display

In RUN level, displays the bank if the bank function is ON. (Turns OFF if the bank function is OFF.)
 In other levels, displays the current level.

Comparative output status indicators

Display the status of comparative outputs.

Status indicators

| Display | Function |
|---------|--|
| T-ZR | Turns ON when the tare zero function is executed. Turns OFF if it is not executed or is cleared. |
| Zero | Turns ON when the forced-zero function is executed. Turns OFF if it is not executed or is cleared. (Excluding the K3HB-H.) |
| Hold | Turns ON/OFF when hold input turns ON/OFF. |

PV display

Displays PVs, maximum values, minimum values, parameter names, and error names.

Position meter

Displays the position of the PV with respect to a desired scale.

SV display

Displays SV and monitor values.

SV display status indicators

| Display | Function |
|--------------|---|
| TG | Turns ON when the timing signal turns ON. Otherwise OFF. |
| T | Turns ON when parameters for which teaching can be performed are displayed. |
| HH, H, L, LL | In RUN level, turn ON when the comparative set values HH, H, L, and LL are displayed. |

MAX/MIN Key

Used to switch the display between the PV, maximum value, and minimum value and to reset the maximum and minimum values.

LEVEL Key

Used to switch level.

MODE Key

Used to switch the parameters displayed.

SHIFT Key

Used to change parameter settings. When changing a set value, this key is used to move along the digits.

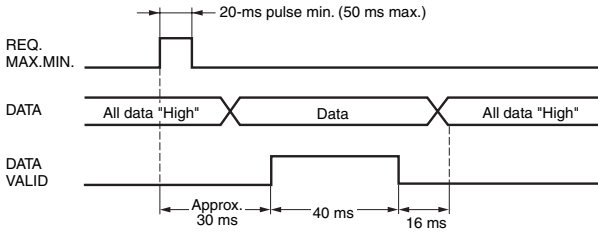
UP Key

When changing a set value, this key is used to change the actual value. When a measurement value is displayed, this key is used to execute or clear the forced-zero function or to execute teaching.

BCD Output Timing Chart

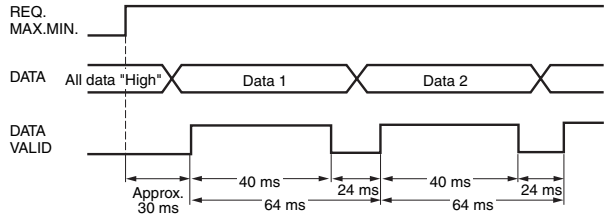
A REQUEST signal from a Programmable Controller or other external device is required to read BCD data.

Single Sampling Data Output



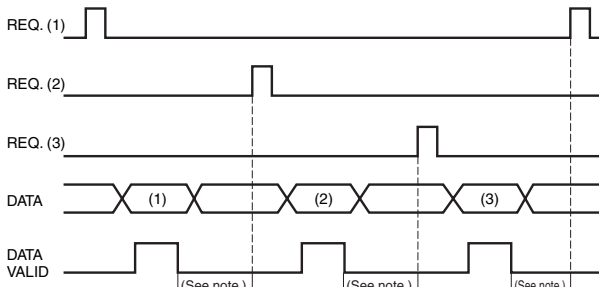
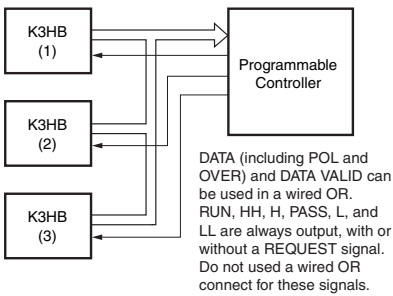
The data is set in approximately 30 ms from the rising edge of the REQUEST signal and the DATA VALID signal is output. When reading the data from a Programmable Controller, start reading the data when the DATA VALID signal turns ON. The DATA VALID signal will turn OFF 40 ms later, and the data will turn OFF 16 ms after that.

Continuous Data Output



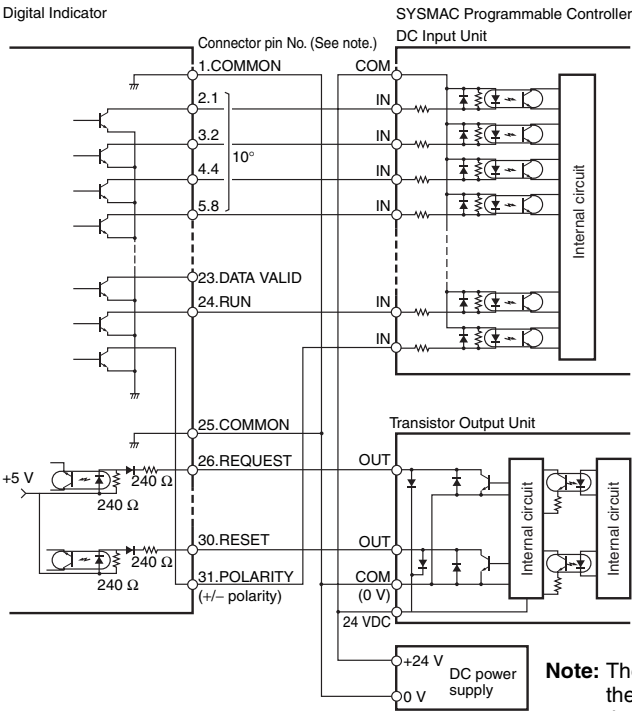
Measurement data is output every 64 ms while the REQUEST signal remains ON.

Note: If HOLD is executed when switching between data 1 and data 2, either data 1 or data 2 is output depending on the timing of the hold signal. The data will not go LOW.

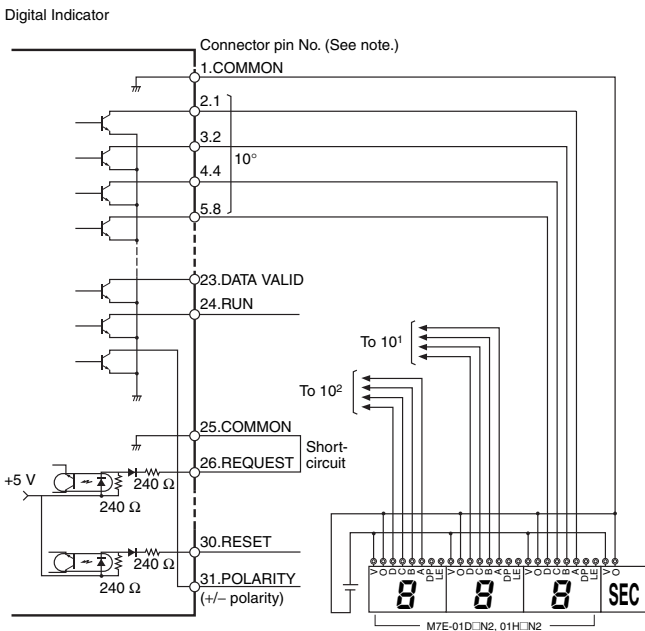


Note: Leave 20 ms min. between DATA VALID turning OFF and the REQUEST signal.

Programmable Controller Connection Example



Display Unit Connection Example

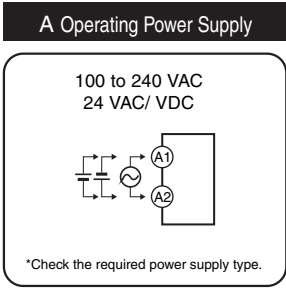
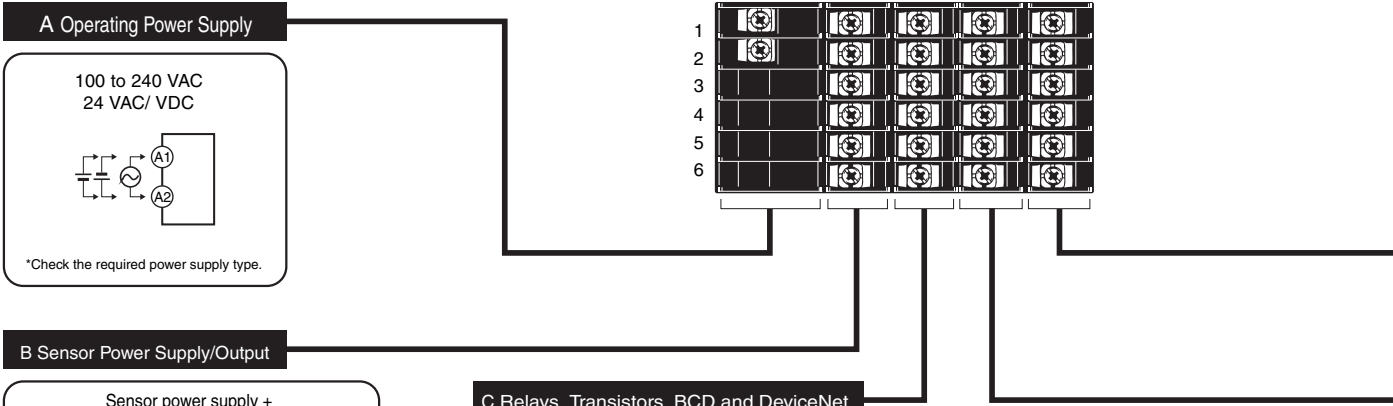


Refer to the following User's Manual for application precautions and other information required when using the Digital Indicator:
 K3HB-S/-X/-V/-H Digital Indicator User's Manual (Cat. No. N128)
 The manual can be downloaded from the following site in PDF format: OMRON Industrial Web <http://www.fa.omron.co.jp>

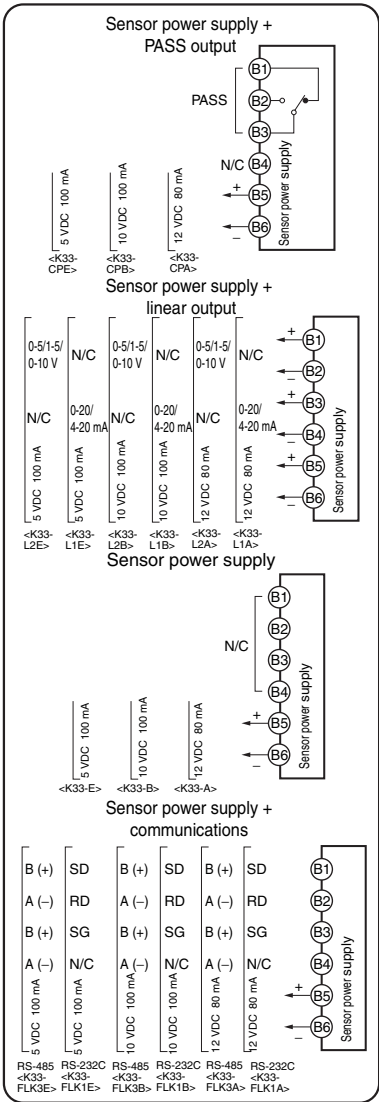
Connections

Terminal Arrangement

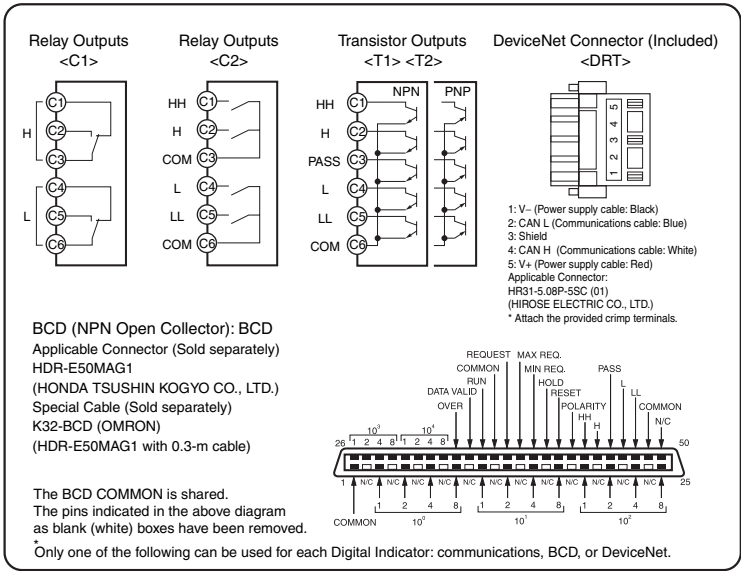
Note: Insulation is used between signal input, event input, output, and power supply terminals.



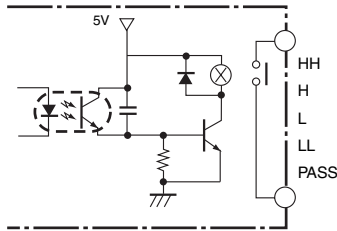
B Sensor Power Supply/Output



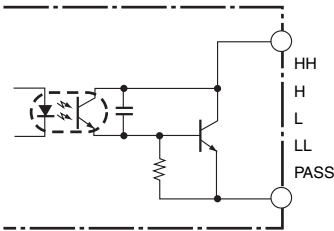
C Relays, Transistors, BCD and DeviceNet



Contact output



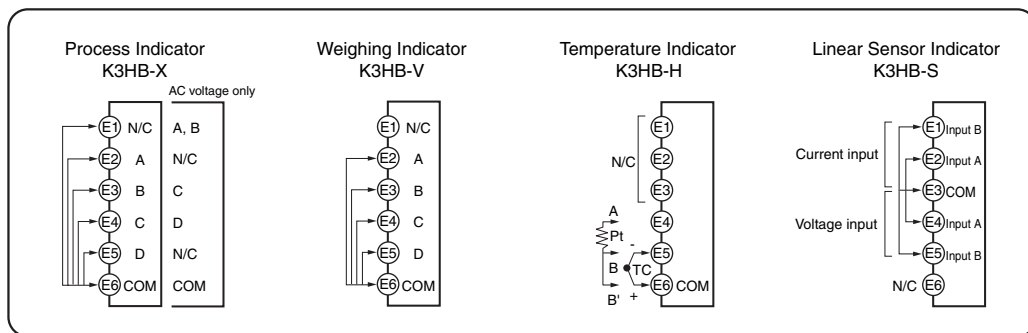
Transistor Output (NPN Open Collector)



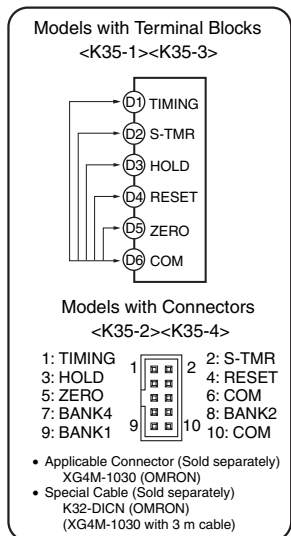
Safety Standards Conformance

- Always use a EN/IEC-compliant power supply with reinforced insulation or double insulation for the DeviceNet power supply.
- The product must be used indoors for the above applicable standards to apply.
- The K3HB-XVA□□ complies with UL standards when the applied input voltage is within the range 0 to 150 VAC.

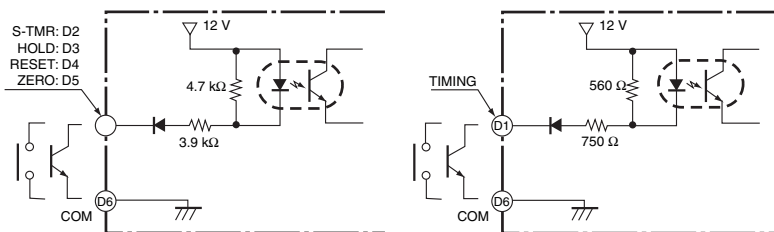
E Analog Input



D Event Input



- Use terminal pin D6 as the common terminal.
- Use NPN open collector or no-voltage contacts for event input. PNP types are also available.



BCD Output Cable

| Model | Shape | Pin arrangement |
|---------|---|---|
| K32-BCD | <p>Cover: HDR-E50LPA5 (manufactured by Honda Tsushin Co., Ltd.) Connector: HDR-E50MAG1 (manufactured by Honda Tsushin Co., Ltd.)</p> <p>D-sub connector (37-pin female) Cover: 17JE-37H-1A (manufactured by DDK) Connector: Equivalent to 17JE-13370-02 (manufactured by DDK) Stand: 17L-002A (manufactured by DDK)</p> | <p>COMMON</p> <p>1 4 10⁴</p> <p>10⁰ 2 4 8</p> <p>10¹ 1 2 4 8</p> <p>10² 1 2 4 8</p> <p>10³ 2 4 8</p> <p>10⁴ 1 2</p> <p>OVER DATA VALID RUN COMMON REQUEST MAX REQ. MIN REQ. HOLD RESET POLARITY HH H PASS L LL COMMON</p> |

Note: The BCD Output Cable has a D-sub plug. Cover: 17JE-37H-1A (manufactured by DDK); Connector: equivalent to 17JE-23370-02 (D1) (manufactured by DDK)

Special Cable (for Event Inputs with 8-pin Connector)

| Model | Appearance | Wiring | | | | | | | | | | | | | | | | | | | | | | |
|----------|----------------------------|--|---------|-------------|---|-----|---|-------|---|------|---|-------|---|-----|---|-----|---|-------|---|-------|---|-------|----|-----|
| K32-DICN | <p>Cable marking (3 m)</p> | <table border="1"> <thead> <tr> <th>Pin No.</th> <th>Signal name</th> </tr> </thead> <tbody> <tr><td>1</td><td>N/C</td></tr> <tr><td>2</td><td>S-TMR</td></tr> <tr><td>3</td><td>HOLD</td></tr> <tr><td>4</td><td>RESET</td></tr> <tr><td>5</td><td>N/C</td></tr> <tr><td>6</td><td>COM</td></tr> <tr><td>7</td><td>BANK4</td></tr> <tr><td>8</td><td>BANK2</td></tr> <tr><td>9</td><td>BANK1</td></tr> <tr><td>10</td><td>COM</td></tr> </tbody> </table> | Pin No. | Signal name | 1 | N/C | 2 | S-TMR | 3 | HOLD | 4 | RESET | 5 | N/C | 6 | COM | 7 | BANK4 | 8 | BANK2 | 9 | BANK1 | 10 | COM |
| Pin No. | Signal name | | | | | | | | | | | | | | | | | | | | | | | |
| 1 | N/C | | | | | | | | | | | | | | | | | | | | | | | |
| 2 | S-TMR | | | | | | | | | | | | | | | | | | | | | | | |
| 3 | HOLD | | | | | | | | | | | | | | | | | | | | | | | |
| 4 | RESET | | | | | | | | | | | | | | | | | | | | | | | |
| 5 | N/C | | | | | | | | | | | | | | | | | | | | | | | |
| 6 | COM | | | | | | | | | | | | | | | | | | | | | | | |
| 7 | BANK4 | | | | | | | | | | | | | | | | | | | | | | | |
| 8 | BANK2 | | | | | | | | | | | | | | | | | | | | | | | |
| 9 | BANK1 | | | | | | | | | | | | | | | | | | | | | | | |
| 10 | COM | | | | | | | | | | | | | | | | | | | | | | | |

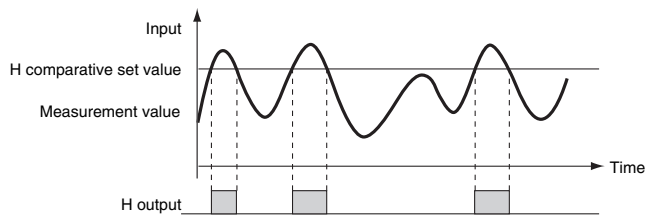
■ Main Functions

Measurement

Timing Hold

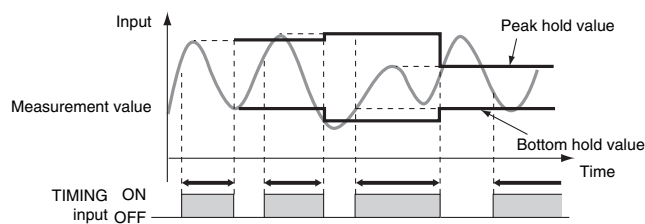
Normal

- Continuously performs measurement and always outputs based on comparative results.



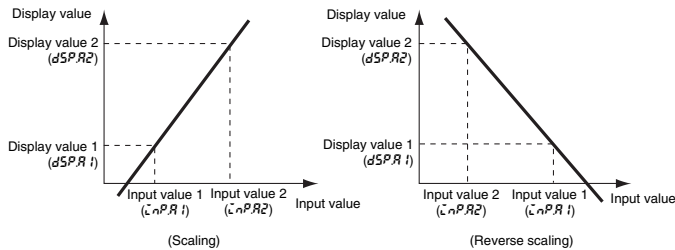
Peak Hold/Bottom Hold

- Measures the maximum (or minimum) value in a specified period.



Scaling

Scaling converts input signals in any way required before displaying them. The values can be manipulated by shifting, inverting, or +/- reversing.



Teaching

Settings for scaling can be made using the present measurement values instead of inputting values with the SHIFT and UP Keys. This is a convenient function for making settings while monitoring the operating status, for calculating amounts by tare reduction (to measure only the contents), or when the result should be zero but the display is not zero for some reason.

Standby Sequence

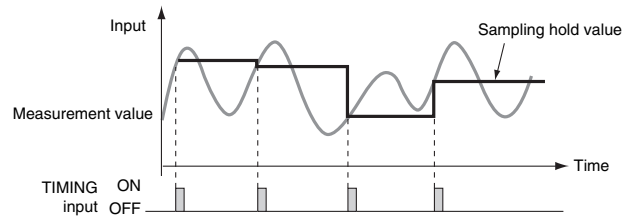
Turns the comparative output OFF until the measurement value enters the PASS range.

Average Processing

Average processing of input signals with extreme changes or noise smooths out the display and makes control stable.

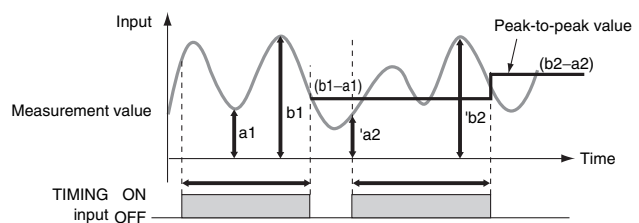
Sampling Hold

- Holds the measurement at the rising edge of the TIMING signal.



Peak-to-peak Hold

- Measures the difference between the maximum and minimum values in a specified period.



Previous Average Value Comparison

Slight changes can be removed from input signals to detect only extreme changes.

Input Compensation/Display

Forced-zero

Forces the present value to 0. (Convenient for setting reference values or deducting tares for weight measurement.)

Tare Zero

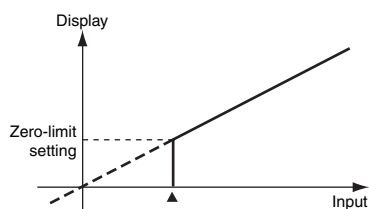
Shifts the current value measured with a forced zero to 0 again. It is possible to measure two or more compounds separately and then, by releasing the tare zero and forced-zero, measure the combined total.

Zero-trimming

Compensates for mild fluctuations in input signals due to factors such as sensor temperature drift, based on OK (PASS) data at measurement. (This function can be used with sampling hold, peak hold, or bottom hold.)

Zero-limit

Changes the display value to 0 for input values less than the set value. It is enabled in normal mode only. (This function can be used, for example, to stop negative values being displayed or to eliminate flickering and minor inconsistencies near 0.)



Interruption Memory

- The minimum and maximum values when the power supply is turned OFF can be saved if interruption memory is turned ON.
- If interruption memory is ON, the maximum and minimum values after the last resetting will be displayed.
- If interruption memory is OFF, the maximum and minimum values will be displayed after the power supply is turned ON (or after the reset input is performed).

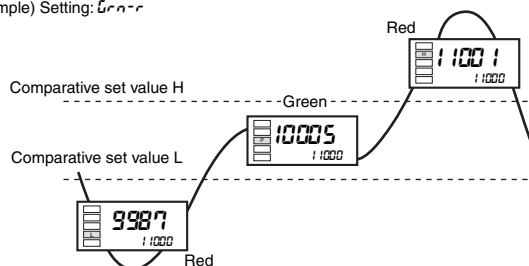
Display Refresh Period

The display refresh period can be lengthened to reduce flickering and thereby make the display easier to read.

Display Color Selection

Values can be displayed in either red or green. With comparative output models, the display color can also be set to change according to the status of comparative outputs (e.g., green to red or red to green).

Example) Setting: Green



Display Value Selection

The current display value can be selected from the present value, the maximum value, and the minimum value.

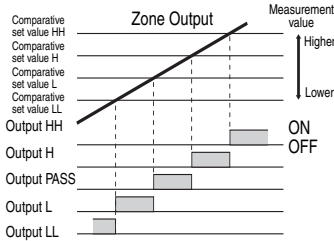
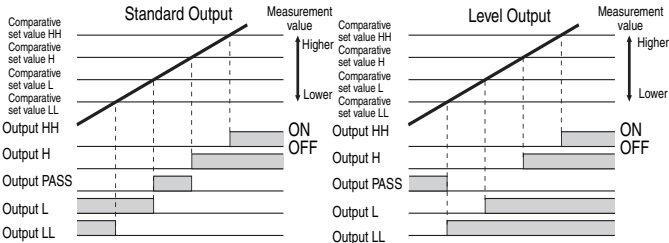
Step Value

It is possible to specify (i.e., restrict) the values that the smallest displayed digit can change by. For example, if the setting is 2, the smallest digit will only take the values 0, 2, 4, 6, or 8 and if the setting is 5, it will only take the values 0 or 5. If the setting is 10, it will only take the value of 0.

Output

Comparative Output Pattern

The output pattern for comparative outputs can be selected. In addition to high/low comparison with set values, output based on level changes is also possible. (Use the type of output pattern appropriate for the application.)



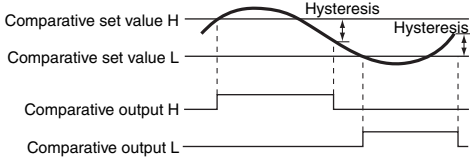
Output Logic

Reverses the output operation of comparative outputs for comparative results.

Hysteresis

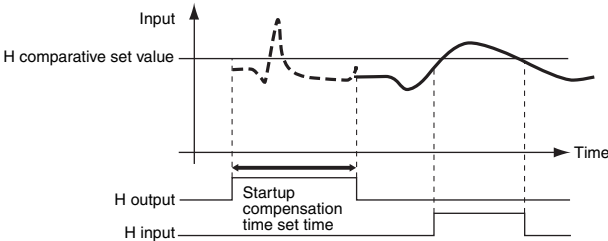
Prevents comparative output chattering when the measurement value fluctuates slightly near the set value.

Example: Comparative Output Pattern (Standard Output)



Startup Compensation Timer

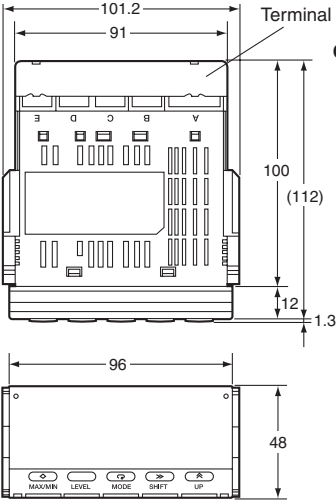
Measurement can be stopped for a set time using external input.



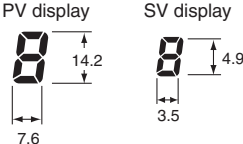
PASS Output Change

Comparative results other than PASS and error signals can be output from the PASS output terminal.

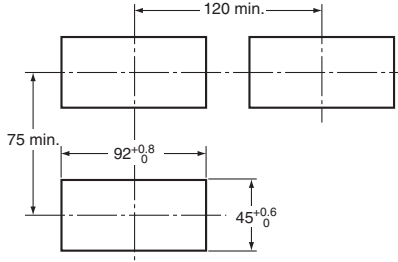
Dimensions



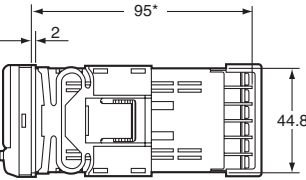
Character Size for Main Display (mm)



Panel Cutout Dimensions



Mounting Recommended Panel Thickness 1 to 8 mm. Mount the product horizontally.



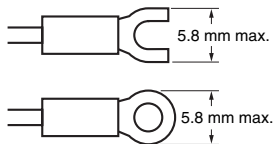
*DeviceNet models: 97 mm Terminal: M3, Terminal Cover: Accessory

Wiring Precautions

- For terminal blocks, use the crimp terminals suitable for M3 screws.
- Tighten the terminal screws to the recommended tightening torque of approx. 0.5 N·m.
- To prevent inductive noise, separate the wiring for signal lines from that for power lines.

Wiring

- Use the crimp terminals suitable for M3 screws shown below.



Unit Stickers

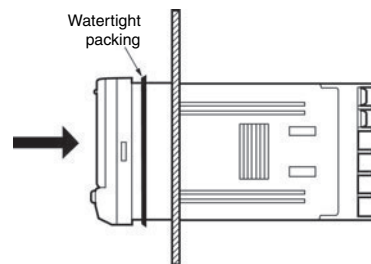
- Select the appropriate units from the unit sticker sheets provided and attach the sticker to the Indicator.

| | | | | | | | |
|-------|-------|-----|----|-----|----|----------------|---|
| V | A | V | A | % | J | Pa | Ω |
| s | / | N | m | W | °C | m ³ | k |
| °F | g | min | mm | rpm | | | |
| VA | mV | mA | Hz | | | | |
| m/min | OMRON | | | | | | |
| OUT | OUT | | | | | | |

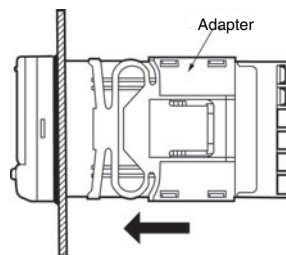
Note: When using for meters, such as weighing meters, use the units specified by regulations on weights and measures.

Mounting Method

1. Insert the K3HB into the mounting cutout in the panel.
2. Insert watertight packing around the Unit to make the mounting watertight.

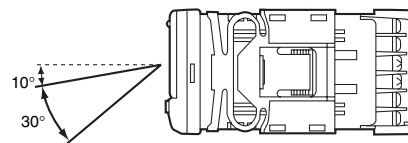


3. Insert the adapter into the grooves on the left and right sides of the rear case and push until it reaches the panel and is fixed in place.



LCD Field of Vision

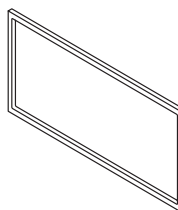
The K3HB is designed to have the best visibility at the angles shown in the following diagram.



Rubber Packing (Sold Separately)

K32-P1

If the rubber packing is lost or damaged, it can be ordered using the following model number: K32-P1.



(Depending on the operating environment deterioration, contraction, or hardening of the rubber packing may occur and so, in order to ensure the level of waterproofing specified in NEMA4, periodic replacement is recommended.)

Note: Rubber packing is provided with the Controller.

ALL DIMENSIONS SHOWN ARE IN MILLIMETERS.

To convert millimeters into inches, multiply by 0.03937. To convert grams into ounces, multiply by 0.03527.

In the interest of product improvement, specifications are subject to change without notice.

Read and Understand This Catalog

Please read and understand this catalog before purchasing the products. Please consult your OMRON representative if you have any questions or comments.

Warranty and Limitations of Liability

WARRANTY

OMRON's exclusive warranty is that the products are free from defects in materials and workmanship for a period of one year (or other period if specified) from date of sale by OMRON.

OMRON MAKES NO WARRANTY OR REPRESENTATION, EXPRESS OR IMPLIED, REGARDING NON-INFRINGEMENT, MERCHANTABILITY, OR FITNESS FOR PARTICULAR PURPOSE OF THE PRODUCTS. ANY BUYER OR USER ACKNOWLEDGES THAT THE BUYER OR USER ALONE HAS DETERMINED THAT THE PRODUCTS WILL SUITABLY MEET THE REQUIREMENTS OF THEIR INTENDED USE. OMRON DISCLAIMS ALL OTHER WARRANTIES, EXPRESS OR IMPLIED.

LIMITATIONS OF LIABILITY

OMRON SHALL NOT BE RESPONSIBLE FOR SPECIAL, INDIRECT, OR CONSEQUENTIAL DAMAGES, LOSS OF PROFITS OR COMMERCIAL LOSS IN ANY WAY CONNECTED WITH THE PRODUCTS, WHETHER SUCH CLAIM IS BASED ON CONTRACT, WARRANTY, NEGLIGENCE, OR STRICT LIABILITY.

In no event shall the responsibility of OMRON for any act exceed the individual price of the product on which liability is asserted.

IN NO EVENT SHALL OMRON BE RESPONSIBLE FOR WARRANTY, REPAIR, OR OTHER CLAIMS REGARDING THE PRODUCTS UNLESS OMRON'S ANALYSIS CONFIRMS THAT THE PRODUCTS WERE PROPERLY HANDLED, STORED, INSTALLED, AND MAINTAINED AND NOT SUBJECT TO CONTAMINATION, ABUSE, MISUSE, OR INAPPROPRIATE MODIFICATION OR REPAIR.

Application Considerations

SUITABILITY FOR USE

OMRON shall not be responsible for conformity with any standards, codes, or regulations that apply to the combination of products in the customer's application or use of the products.

At the customer's request, OMRON will provide applicable third party certification documents identifying ratings and limitations of use that apply to the products. This information by itself is not sufficient for a complete determination of the suitability of the products in combination with the end product, machine, system, or other application or use.

The following are some examples of applications for which particular attention must be given. This is not intended to be an exhaustive list of all possible uses of the products, nor is it intended to imply that the uses listed may be suitable for the products:

- Outdoor use, uses involving potential chemical contamination or electrical interference, or conditions or uses not described in this catalog.
- Nuclear energy control systems, combustion systems, railroad systems, aviation systems, medical equipment, amusement machines, vehicles, safety equipment, and installations subject to separate industry or government regulations.
- Systems, machines, and equipment that could present a risk to life or property.

Please know and observe all prohibitions of use applicable to the products.

NEVER USE THE PRODUCTS FOR AN APPLICATION INVOLVING SERIOUS RISK TO LIFE OR PROPERTY WITHOUT ENSURING THAT THE SYSTEM AS A WHOLE HAS BEEN DESIGNED TO ADDRESS THE RISKS, AND THAT THE OMRON PRODUCTS ARE PROPERLY RATED AND INSTALLED FOR THE INTENDED USE WITHIN THE OVERALL EQUIPMENT OR SYSTEM.

PROGRAMMABLE PRODUCTS

OMRON shall not be responsible for the user's programming of a programmable product, or any consequence thereof.

Disclaimers

CHANGE IN SPECIFICATIONS

Product specifications and accessories may be changed at any time based on improvements and other reasons.

It is our practice to change model numbers when published ratings or features are changed, or when significant construction changes are made. However, some specifications of the products may be changed without any notice. When in doubt, special model numbers may be assigned to fix or establish key specifications for your application on your request. Please consult with your OMRON representative at any time to confirm actual specifications of purchased products.

DIMENSIONS AND WEIGHTS

Dimensions and weights are nominal and are not to be used for manufacturing purposes, even when tolerances are shown.

PERFORMANCE DATA

Performance data given in this catalog is provided as a guide for the user in determining suitability and does not constitute a warranty. It may represent the result of OMRON's test conditions, and the users must correlate it to actual application requirements. Actual performance is subject to the OMRON Warranty and Limitations of Liability.

ERRORS AND OMISSIONS

The information in this document has been carefully checked and is believed to be accurate; however, no responsibility is assumed for clerical, typographical, or proofreading errors, or omissions.

2012.8

In the interest of product improvement, specifications are subject to change without notice.

OMRON Corporation
Industrial Automation Company

<http://www.ia.omron.com/>

(c)Copyright OMRON Corporation 2012 All Right Reserved.