

## Easy to Adjust for the Required Application with a Broad Range of Variations

- Easy to install and adjust on an aluminum frame or track.
- Tough design includes sturdy Cover Fittings for Sensor protection.



## Ordering Information

| Appearance | Name   | Model            | Applicable models |        |        |
|------------|--|------------------|-------------------|--------|--------|
|            |  |                  | E3Z               | E39-R1 | E39-R3 |
|            | Horizontal mounting, flexible type               | <b>E39-L93FH</b> | Yes               | Yes *2 | Yes    |
|            | Vertical mounting, flexible type                 | <b>E39-L93FV</b> | Yes               | Yes *2 | Yes    |
|            | Horizontal mounting, fixed type                  | <b>E39-L93H</b>  | Yes               | Yes *2 | Yes    |
|            | Vertical mounting, fixed type                    | <b>E39-L93V</b>  | Yes               | Yes *2 | Yes    |
|            | Shaft with XY joint                              | <b>E39-L93XY</b> | ---               | ---    | ---    |
|            | Sensor Adjuster *1                               | <b>E39-L150</b>  | Yes               | ---    | Yes    |
|            |  | <b>E39-L151</b>  | Yes               | ---    | Yes    |
|            | Mounting Attachments for the E39-L93□ and E39-R1 | <b>E39-L96</b>   | ---               | Yes    | ---    |
|            | Cover Fitting for vertical type                  | <b>E39-L98</b>   | Yes               | ---    | ---    |

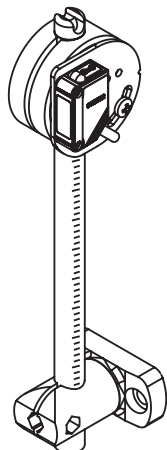
\*1. The Sensor Adjuster does not include the Sensor. Order the Sensor separately according to the required application.

\*2. The E39-L96 can be used for mounting.

## Easy Mounting and Adjustment on Aluminum Frames and Tracks of Conveyors

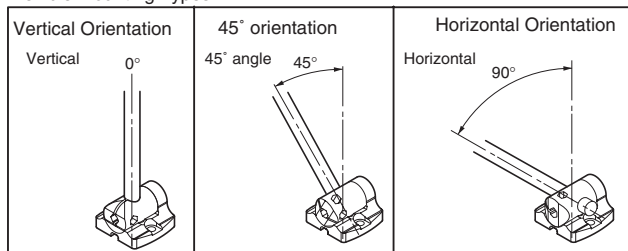
### ● E39-L93□ Sensor Adjuster

1. Set to any height up to 200 mm.
2. Fastens securely with M6 screws.

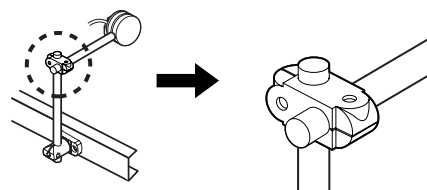


3. Variable pipe direction in increments of 45°

#### Flexible Mounting Types



4. Using a shaft with an XY joint enables detection from above the production line.

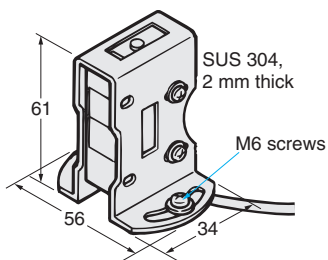


## Tough Design Provides Strong, Durable Protection!

### ● E39-L98 Cover Fittings

1. M6 screws on both sides for strong mounting.
2. Stainless steel construction for excellent environmental resistance.

#### E39-L98



### ● Replacing E39-L93

|  |  |  |
|--|--|--|
| Mounting pitch compatibility                                     | Horizontal mounting                            | E39-L93H   |
|  | Vertical mounting                              | E39-L93V   |
| Flexibility compatibility (without mounting pitch compatibility) | Horizontal mounting                            | E39-L93FH  |
|  | Vertical mounting                              | E39-L93FV  |
| Top mounting   | E39-L93H<br>E39-L93V<br>E39-L93FH<br>E39-L93FV | Use the following model together with the models indicated on the left.<br>E39-L93XY |

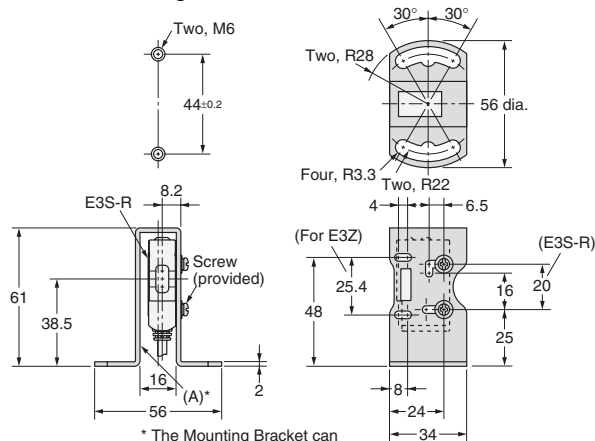
## Dimensions

(Unit: mm)

Tolerance class IT16 applies to dimensions in this datasheet unless otherwise specified.

### E39-L98

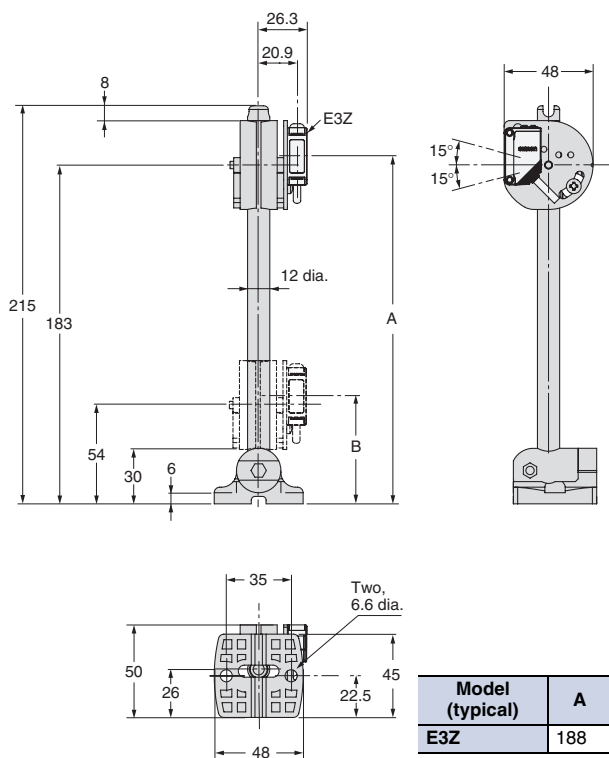
#### Mounting Holes



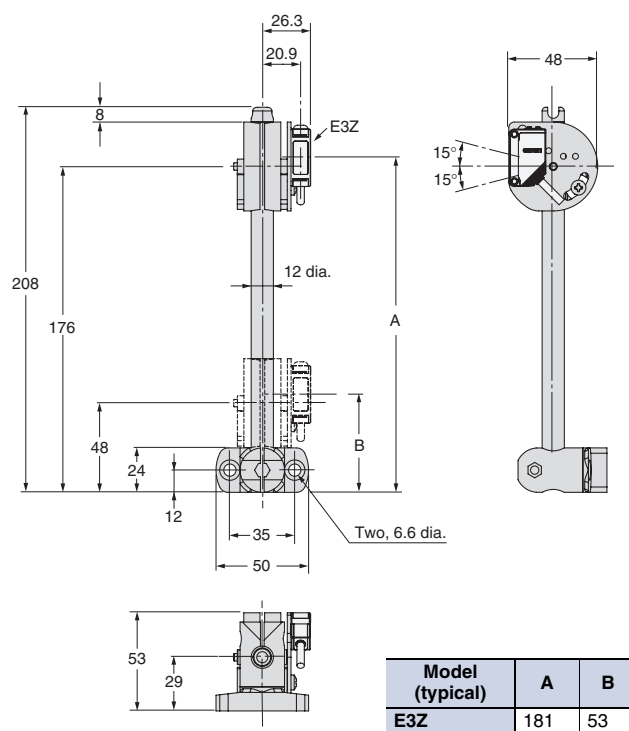
\* The Mounting Bracket can also be attached to surface A.

Material: Stainless steel (SUS304)

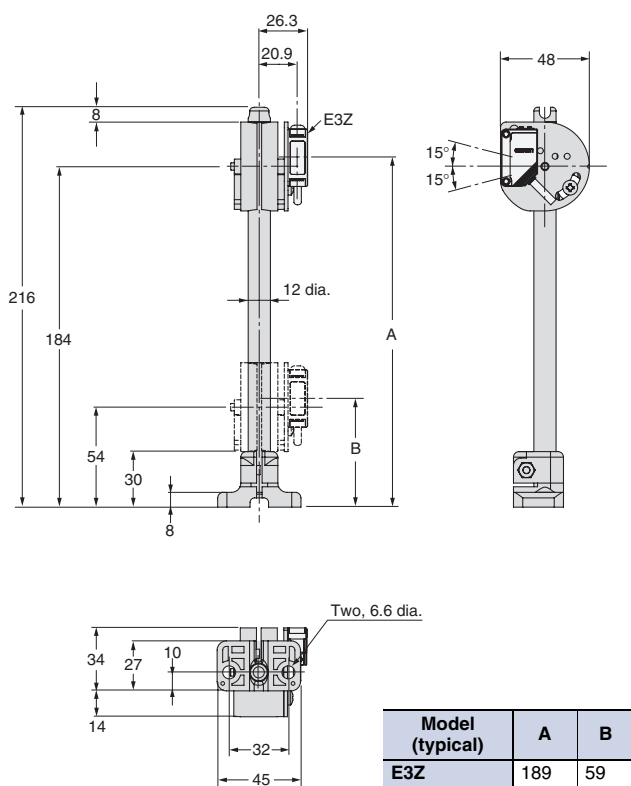
E39-L93FH



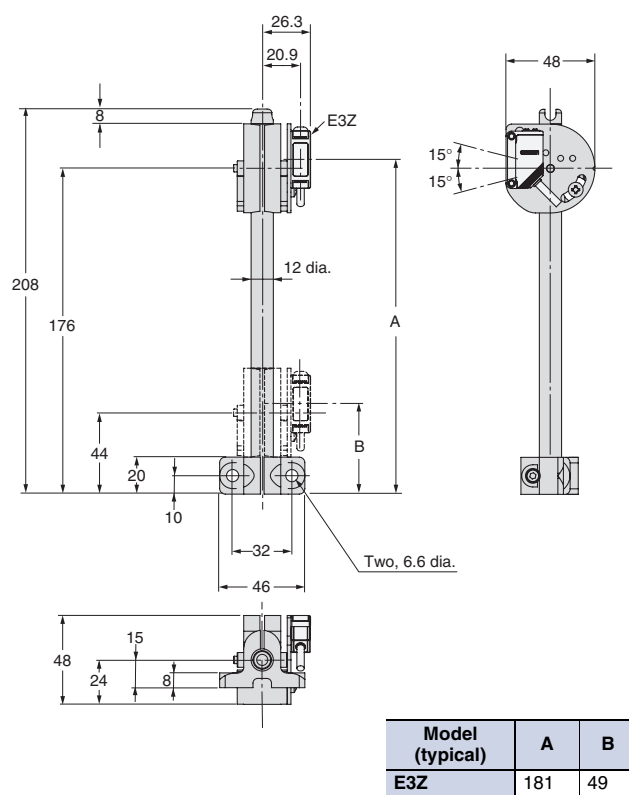
E39-L93FV



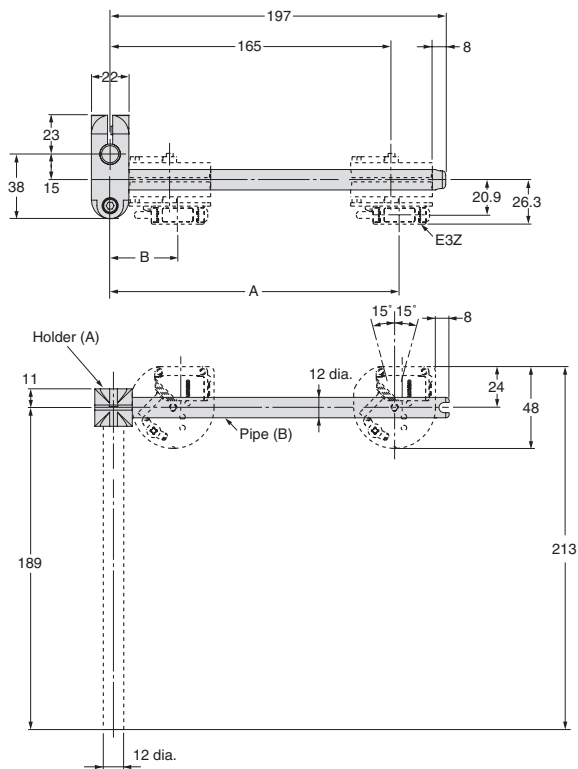
E39-L93H



E39-L93V



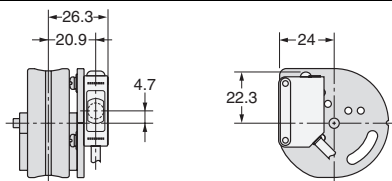
## E39-L93XY



| Model (typical) | A   | B  |
|-----------------|-----|----|
| E3Z             | 170 | 40 |

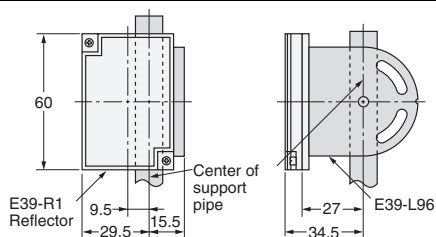
Note: The E39-L93XY consists of only the one joint holder (A) and pipe (B), and the two hexagonal bolts and nuts. It cannot be mounted to the Sensor alone.

### E3Z + E39-L93□

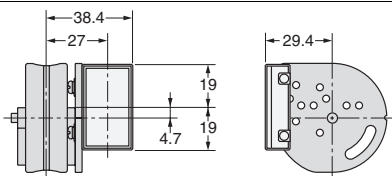


### E39-R1 (Reflector) + E39-L93□

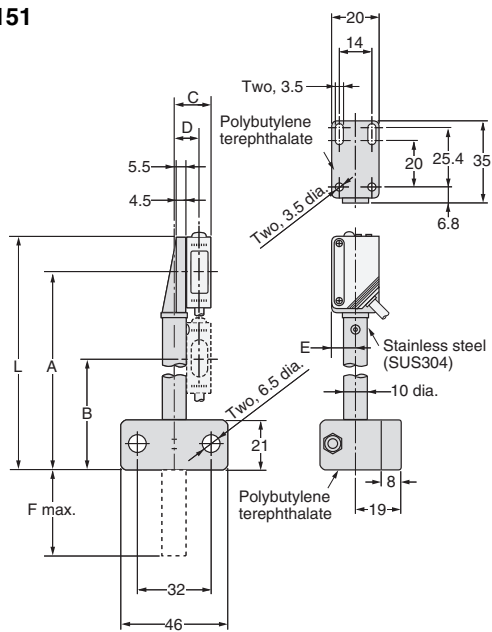
Note: E39-L96 required.



### E39-R3 (Reflector) + E39-L93□



### E39-L150 E39-L151



### E39-L150

| Model (typical) | A    | B    | C    | D    | E  | F  |
|-----------------|------|------|------|------|----|----|
| E3Z             | 84.5 | 47.5 | 16.3 | 10.9 | 10 | 37 |

| Model    | L   |
|----------|-----|
| E39-L150 | 100 |
| E39-L151 | 200 |

## Read and Understand This Catalog

Please read and understand this catalog before purchasing the products. Please consult your OMRON representative if you have any questions or comments.

## Warranty and Limitations of Liability

### WARRANTY

OMRON's exclusive warranty is that the products are free from defects in materials and workmanship for a period of one year (or other period if specified) from date of sale by OMRON.

OMRON MAKES NO WARRANTY OR REPRESENTATION, EXPRESS OR IMPLIED, REGARDING NON-INFRINGEMENT, MERCHANTABILITY, OR FITNESS FOR PARTICULAR PURPOSE OF THE PRODUCTS. ANY BUYER OR USER ACKNOWLEDGES THAT THE BUYER OR USER ALONE HAS DETERMINED THAT THE PRODUCTS WILL SUITABLY MEET THE REQUIREMENTS OF THEIR INTENDED USE. OMRON DISCLAIMS ALL OTHER WARRANTIES, EXPRESS OR IMPLIED.

### LIMITATIONS OF LIABILITY

OMRON SHALL NOT BE RESPONSIBLE FOR SPECIAL, INDIRECT, OR CONSEQUENTIAL DAMAGES, LOSS OF PROFITS OR COMMERCIAL LOSS IN ANY WAY CONNECTED WITH THE PRODUCTS, WHETHER SUCH CLAIM IS BASED ON CONTRACT, WARRANTY, NEGLIGENCE, OR STRICT LIABILITY.

In no event shall the responsibility of OMRON for any act exceed the individual price of the product on which liability is asserted.

IN NO EVENT SHALL OMRON BE RESPONSIBLE FOR WARRANTY, REPAIR, OR OTHER CLAIMS REGARDING THE PRODUCTS UNLESS OMRON'S ANALYSIS CONFIRMS THAT THE PRODUCTS WERE PROPERLY HANDLED, STORED, INSTALLED, AND MAINTAINED AND NOT SUBJECT TO CONTAMINATION, ABUSE, MISUSE, OR INAPPROPRIATE MODIFICATION OR REPAIR.

## Application Considerations

### SUITABILITY FOR USE

OMRON shall not be responsible for conformity with any standards, codes, or regulations that apply to the combination of products in the customer's application or use of the products.

At the customer's request, OMRON will provide applicable third party certification documents identifying ratings and limitations of use that apply to the products. This information by itself is not sufficient for a complete determination of the suitability of the products in combination with the end product, machine, system, or other application or use.

The following are some examples of applications for which particular attention must be given. This is not intended to be an exhaustive list of all possible uses of the products, nor is it intended to imply that the uses listed may be suitable for the products:

- Outdoor use, uses involving potential chemical contamination or electrical interference, or conditions or uses not described in this catalog.
- Nuclear energy control systems, combustion systems, railroad systems, aviation systems, medical equipment, amusement machines, vehicles, safety equipment, and installations subject to separate industry or government regulations.
- Systems, machines, and equipment that could present a risk to life or property.

Please know and observe all prohibitions of use applicable to the products.

NEVER USE THE PRODUCTS FOR AN APPLICATION INVOLVING SERIOUS RISK TO LIFE OR PROPERTY WITHOUT ENSURING THAT THE SYSTEM AS A WHOLE HAS BEEN DESIGNED TO ADDRESS THE RISKS, AND THAT THE OMRON PRODUCTS ARE PROPERLY RATED AND INSTALLED FOR THE INTENDED USE WITHIN THE OVERALL EQUIPMENT OR SYSTEM.

### PROGRAMMABLE PRODUCTS

OMRON shall not be responsible for the user's programming of a programmable product, or any consequence thereof.

## Disclaimers

### CHANGE IN SPECIFICATIONS

Product specifications and accessories may be changed at any time based on improvements and other reasons.

It is our practice to change model numbers when published ratings or features are changed, or when significant construction changes are made. However, some specifications of the products may be changed without any notice. When in doubt, special model numbers may be assigned to fix or establish key specifications for your application on your request. Please consult with your OMRON representative at any time to confirm actual specifications of purchased products.

### DIMENSIONS AND WEIGHTS

Dimensions and weights are nominal and are not to be used for manufacturing purposes, even when tolerances are shown.

### PERFORMANCE DATA

Performance data given in this catalog is provided as a guide for the user in determining suitability and does not constitute a warranty. It may represent the result of OMRON's test conditions, and the users must correlate it to actual application requirements. Actual performance is subject to the OMRON Warranty and Limitations of Liability.

### ERRORS AND OMISSIONS

The information in this document has been carefully checked and is believed to be accurate; however, no responsibility is assumed for clerical, typographical, or proofreading errors, or omissions.

2012.8

In the interest of product improvement, specifications are subject to change without notice.

**OMRON Corporation**  
Industrial Automation Company

<http://www.ia.omron.com/>

(c)Copyright OMRON Corporation 2012 All Right Reserved.