

OMRON



Flat Cable Connector DCN4-□□4D

Flat cables available for DeviceNet! Approved by ODVA.



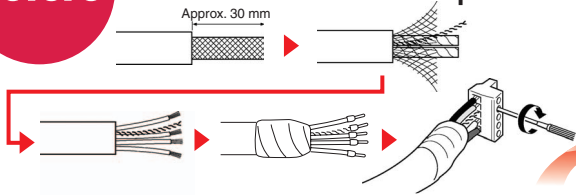
Click!

Easy connection.

Now operational **30x faster** than before.

before

The inconvenient former process.



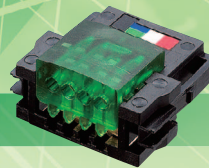
■ A screwless construction for a cable with fewer problems.



DCN4-SF4D **NEW**



DCN4-TP4D **NEW**



DCN4-BR4D **NEW**



DCN4-TR4-1 **NEW**

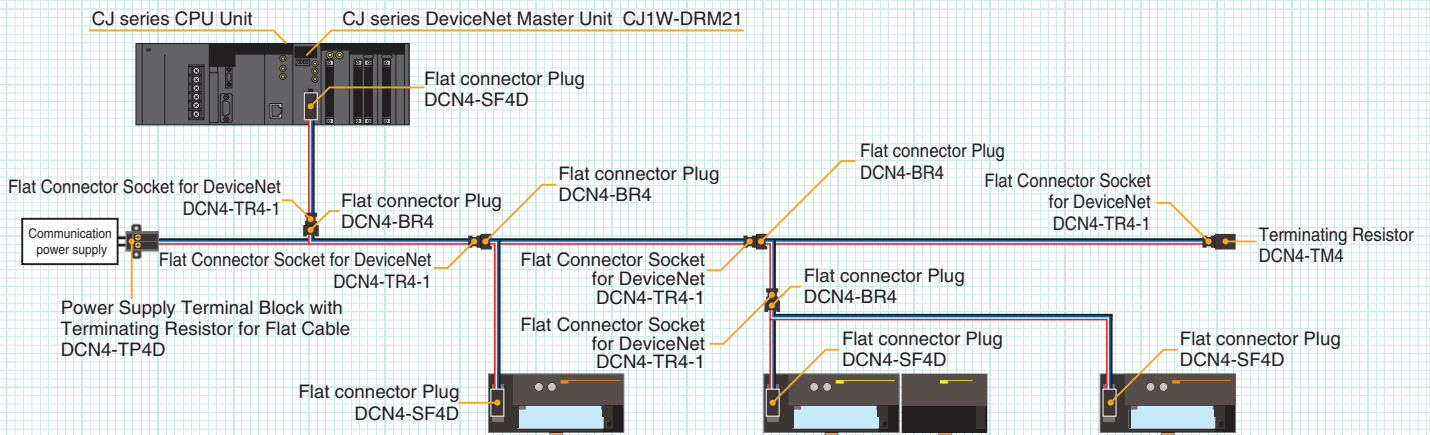


DCN4-BR4

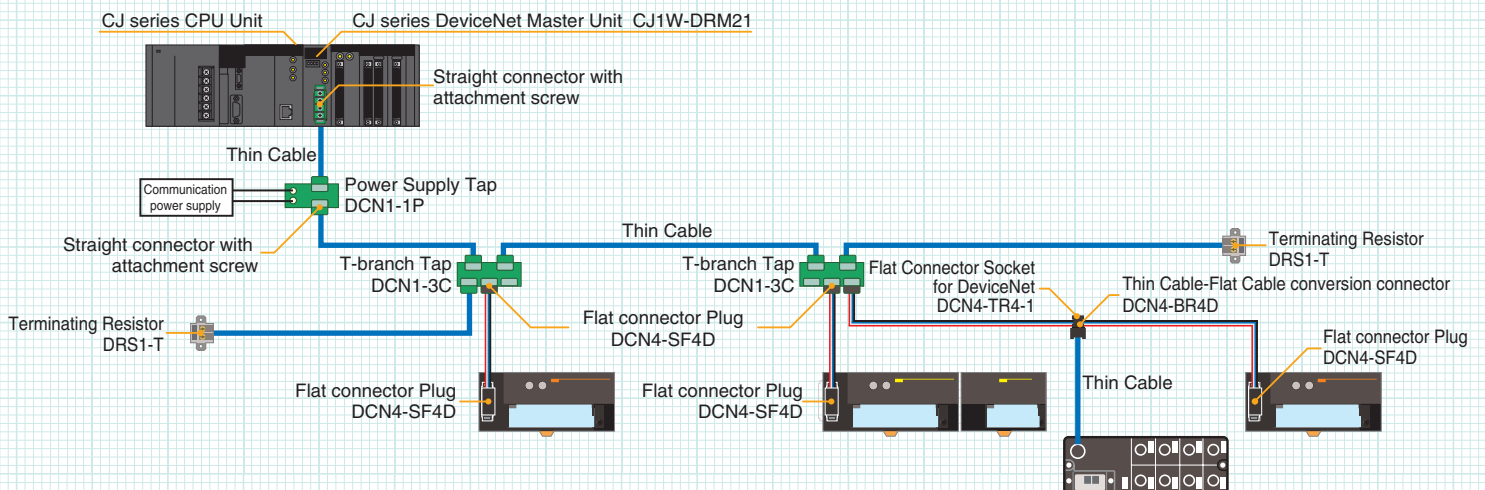


DCN4-TM4

System Configuration Diagram for All Flat Cables



System Configuration Diagram for Mixed Cables



Ordering Guide

* DeviceNet is a registered trademark of ODVA.

Product Name	Type
Flat Cable Connector	NEW DCN4-SF4D
Flat Connector Socket for DeviceNet	NEW DCN4-TR4-1
Flat connector Plug	DCN4-BR4
Thin Cable-Flat Cable conversion connector	NEW DCN4-BR4D
Power Supply Terminal Block with Terminating Resistor for Flat Cable	NEW DCN4-TP4D
Terminating Resistor	DCN4-TM4
Flat Cable (100m)	DCA4-4F10
Special Tool for Flat Cable	DWT-A01

* Delivered in units of 10 pcs. Please place your order in units of 10 pcs.

OMRON Corporation
 Industrial Automation Company
 Control Devices Division H.Q.
 Network Devices Department
 Shiokoji Horikawa, Shimogyo-ku,
 Kyoto, 600-8530 Japan
 Tel: (81) 75-344-7116/Fax: (81) 75-344-7149
 2-2-1 Nishikusatsu, Kusatsu-shi,
 Shiga, 525-0035 Japan
 Tel: (81) 77-565-5219/Fax: (81) 77-565-5569

Regional Headquarters
OMRON EUROPE B.V.
 Wegalaan 67-69-2132 JD Hoofddorp
 The Netherlands
 Tel: (31)2356-81-300/Fax: (31)2356-81-388
 OMRON Industrial Automation Global: www.ia.omron.com

OMRON ELECTRONICS LLC
 One Commerce Drive Schaumburg,
 IL 60173-5302 U.S.A.
 Tel: (1) 847-843-7900/Fax: (1) 847-843-7787

OMRON ASIA PACIFIC PTE. LTD.
 No. 438A Alexandra Road # 05-05/08 (Lobby 2),
 Alexandra Technopark, Singapore 119967
 Tel: (65) 6835-3011/Fax: (65) 6835-2711

OMRON (CHINA) CO., LTD.
 Room 2211, Bank of China Tower,
 200 Yin Cheng Zhong Road,
 PuDong New Area, Shanghai, 200120, China
 Tel: (86) 21-5037-2222/Fax: (86) 21-5037-2200

Authorized Distributor:

© OMRON Corporation 2008 All Rights Reserved.
 In the interest of product improvement,
 specifications are subject to change without notice.

Cat. No. R152-E1-01

Printed in Japan
 0708-1