

Capacitive Palm Button

- No physical pressure required to actuate switch—reduces the likelihood of wrist injury caused by repetitive motion.
- Excellent sensitivity—sensor is designed to operate even if operator is wearing gloves.
- RFI Immunity—special circuitry inhibits output in the presence of RFI that would otherwise cause false triggering of output.
- AC version is UL Recognized—meets the applicable requirements in the proposed first edition of UL 491.
- Saves time and money.
 - Easy mounting in a single hole.
 - Wiring is simplified because terminals are clearly identified and easily accessible.
 - No special power supplies are required because switch is available in either 120 VAC or 24 VDC versions.



Description

The TouchStart™ is an ergonomic alternative to a mechanical palm button switch. These switches are often used to cycle industrial machinery such as punch presses. Unlike mechanical switches, which can require substantial force to operate, the TouchStart requires no actuation force. It detects the operator's hand and actuates its output relays with a mere touch of the button.

The design of the TouchStart includes circuitry to prevent false triggering from the presence of Radio Frequency Interference (RFI).

The TouchStart has been tested by Underwriters Laboratory and is recognized under Standard UL 491, "Standard for Power Operated Machine Controls and Systems." This is the only UL standard dedicated to operator safety in press control applications. The requirements of UL 491 are in accordance with the following Standards:

- NFPA79 The Standard for Metal Working Tools.
- NFPA70 National Electrical Code.
- ANSI B11.1 Standard for the Construction, Care and Use of Mechanical Power Presses.
- OSHA Section 1910.217.

Important Installation Instructions

This sensor has been tested to meet requirements regarding safety devices. Before installing, refer to ANSI B11.1, B11.19, and OSHA 1910.217.

ANSI Standard B11.19-2010 gives the following definitions:

8.4.1.2 Two-Hand Trip Devices

Each two-hand trip device shall be designed and constructed to protect each hand trip control against unintended or inadvertent operation.

The two-hand trip device shall have the individual hand controls arranged by design, construction, or separation to require the use of both hands for actuation.

The two-hand trip device shall be designed and constructed to require concurrent operation of both hand trip controls to initiate the machine cycle.

When used in single cycle mode, the two-hand trip function shall incorporate an antirepeat feature.

8.4.1.3 Two-Hand Control Devices

The two-hand control device shall have individual hand controls arranged by design, construction, or separation to require the use of both hand controls for actuation.

The two-hand control device shall be designed and constructed to protect each hand control against unintended or inadvertent actuation.

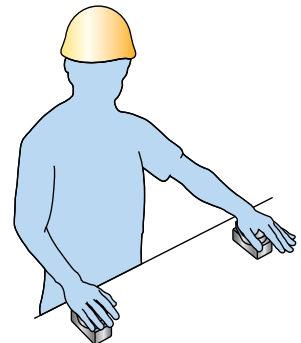
The two-hand control device shall require the concurrent actuation of both hand controls within a certain time limit before initiating hazardous motion.

Release of either hand control during the hazardous portion of the machine cycle shall initiate a stop command. Release and reactivation of both hand controls is required before motion is reinitiated.

Components, subassemblies or modules of the device shall meet the requirements of 6.1.

Rings or shrouds are commonly used to protect palm-actuated buttons from unintentional actuation. Precautions in design or installation are needed to prevent actuation of two buttons by the use of one hand and the elbow of the same arm and to inhibit other circumvention of the two-hand requirement.

The device shall be located at a distance from the nearest hazard such that the operator cannot reach the hazard with a hand or other body part before cessation of motion of the hazardous portion of the machine cycle. Descriptions of formulas for distances between the switches and from nearest hazard can be found in American National Standards Institute (ANSI) B11.1 and B11.19-2010.



Description (continued)

Since each two-hand control or trip application is different the user needs to make sure that all Occupational Safety and Health Administration (OSHA) and American National Standards Institute (ANSI) requirements are followed.

This device shall be installed such that the distance between the terminal connections of the palm button switch with leads installed and a dead metal part (including the enclosure) is a minimum of 1/4 inch.



TouchStart palm button assembly with Round Ring Guard, model TS-R and TS-B1



TouchStart palm button assembly with Square Ring Guard, model TS-SQ and TS-B1.

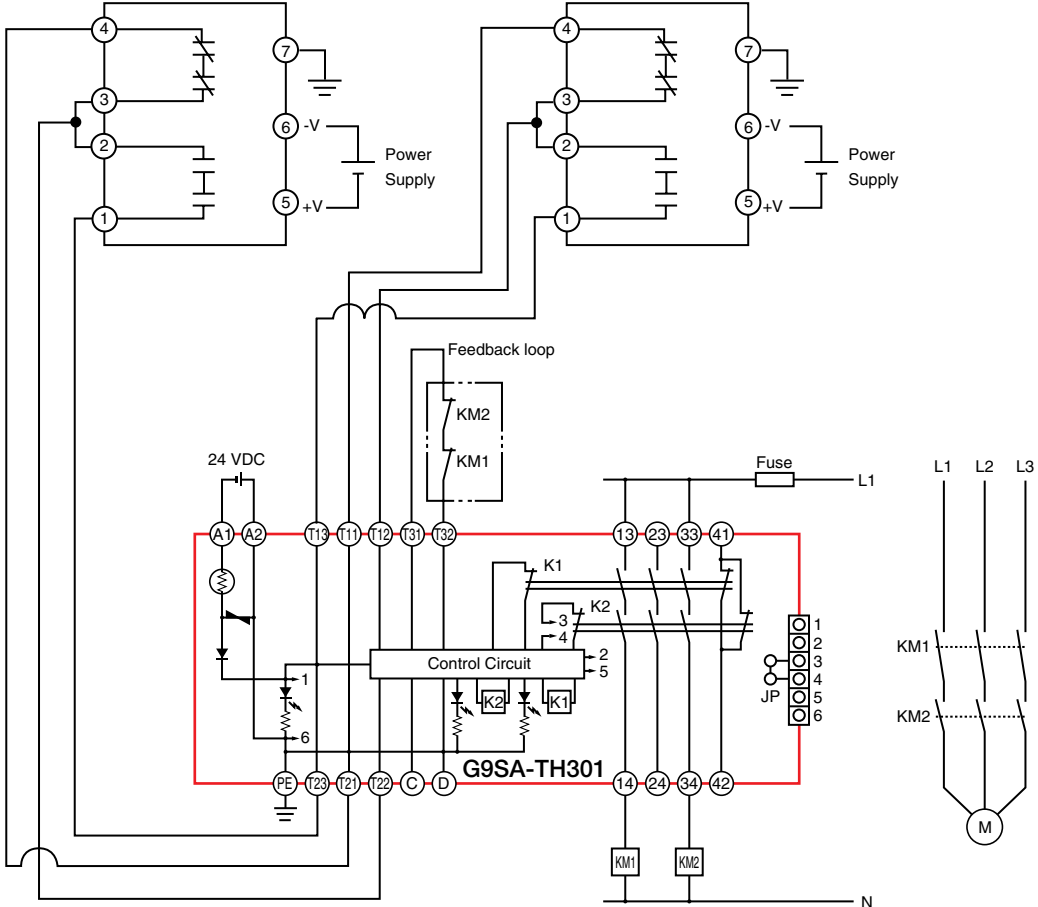
Specifications

	TS-10 for 120 VAC; TS-20 for 24 VDC
Max Wiring Size:	14 AWG (1)
Housing Material:	Nory IN190
Weight:	313 g (11 oz.)
Actuation:	Hand sensitive requiring no pressure to initiate, operates with or without gloves
Power Supply	
TS-10:	120 VAC \pm 10%, 45 to 60 Hz
TS-20:	24 VDC \pm 10%
Power Consumption:	\leq 1 W
Indicator:	Red LED, illuminates when relays are energized
Output:	Two relays provide 1 set of normally open contacts, 1 set of normally closed contacts. Force-guided contacts are used.
Contact Ratings:	1 A at 250 VAC max resistive; 1 A @ 90 VDC max resistive
Mechanical Life:	Greater than 50 million operations
Electrical Life:	Greater than 5 million operations at loads less than 50 VA
Mechanical Shock:	45 g for 2 ms
Vibration:	4 g at $f \leq 60$ Hz and amplitude ≤ 1 mm
Relative Humidity:	$\leq 99\%$
Noise Protection:	Bursts to 2 kV, spikes of 500 V, electrostatic fields to 8 kV*
Weldfield Immunity:	Resistor welding up to 50 kA AC/DC (in suitable enclosure)*
RFI:	≤ 8 V/m
Protection:	IP64
Temperature Range:	-18 to 50°C (0 to 122°F)
Max Response Times:	On = 60 ms; Off = 80 ms
Approvals:	CE marked for all applicable directives, UL and C-UL

Specifications are subject to change without notice.

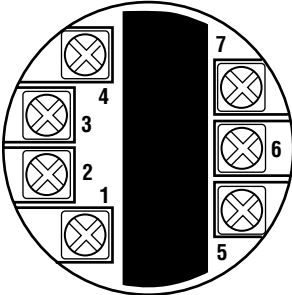
* If any of these values are exceeded, the TouchStart will default to a safe state (output relays de-energized). The TouchStart automatically resets when conditions fall below the limit.

Application

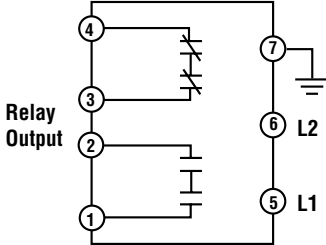


Wiring

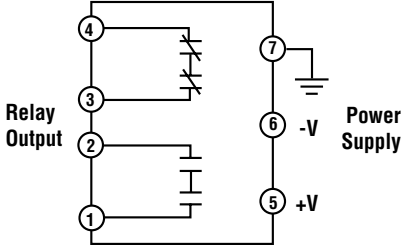
Connection Diagram



TS-10



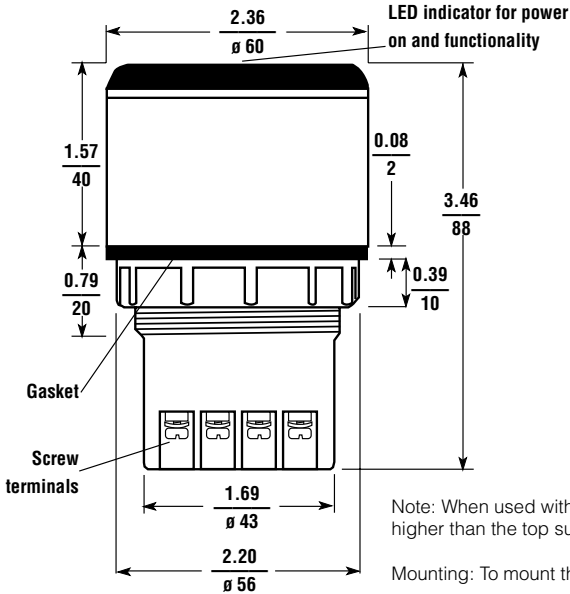
TS-20



Dimensions

(in./mm)

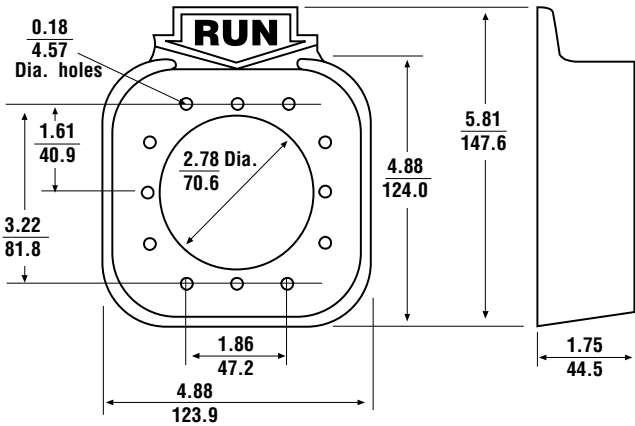
TouchStart



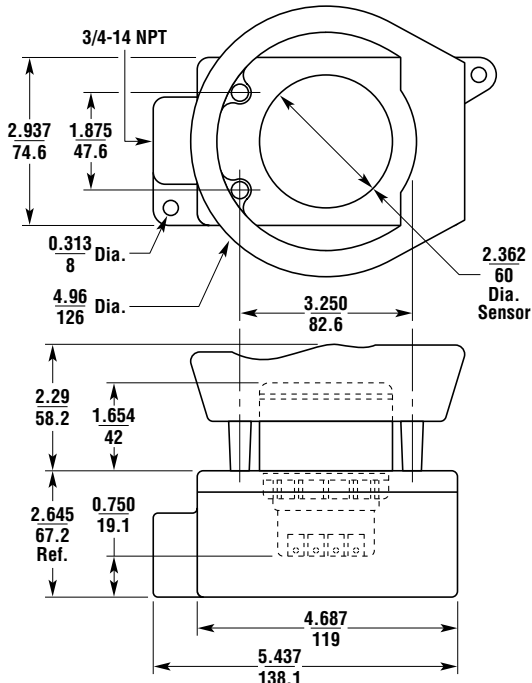
Note: When used with a shroud or ring, the top of the shroud or ring must be at least 1/2 inch higher than the top surface of the TouchStart.

Mounting: To mount the TouchStart, cut a mounting hole of 1-7/8 in diameter (47.6 mm).

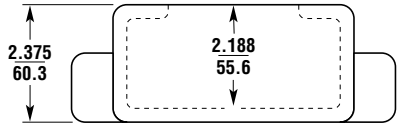
Square Ring Guard TS-SQ



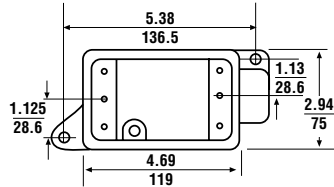
Round Ring Guard TS-R



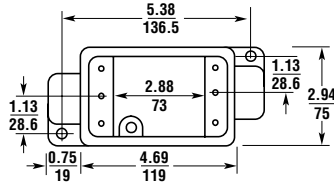
TS-B1 and TS-B2 Side View



TS-B1



TS-B2



Ordering

Model	Description
TS-10	TouchStart Palm Button, includes mounting jam nut and gasket, 120 VAC
TS-20	TouchStart Palm Button, includes mounting jam nut and gasket, 24 VDC
TS-SQ	Plastic, square ring guard, mounting screws, spacers
TS-R	Metal, round ring guard, mounting screws, spacers
TS-B1	Electrical box, with one conduit hub (3/4 in.), cover plate for box, gasket for box
TS-B2	Electrical box, with two conduit hubs (3/4 in.), cover plate for box, gasket for box
To order a complete TouchStart Palm button, two-hand control system, order one of each of the following:	
TS-10 or TS-20	TouchStart Palm Button—order two each
TS-SQ or TS-R	Ring Guards or other shields must be installed to avoid accidental operation in safety applications per OSHA and ANSI — order two each
TS-B1 or TS-B2	Electrical box—order a total of two (one of each type or two of one type)
G9SA-TH301	Anti-tie down relay — order one per system

Warning!

This product may cause substantial personal injury or property damage if it is not installed and used in accordance with the manufacturer's instructions and in accordance with regulations of the Occupational Safety and Health Administration Part 1910.217, the procedures prescribed by the American National Standards Institute B11.1 and B11.19, and all other applicable regulations, procedures and codes. The manufacturer shall not be responsible nor liable for any injury or damage resulting from use of the product in any such applications or the failure to comply with any such regulation, procedure or code.

Terms and Conditions of Sale

1. **Offer; Acceptance.** These terms and conditions (these "**Terms**") are deemed part of all quotes, agreements, purchase orders, acknowledgments, price lists, catalogs, manuals, brochures and other documents, whether electronic or in writing, relating to the sale of products or services (collectively, the "**Products**") by Omron Electronics LLC and its subsidiary companies ("**Omron**"). Omron objects to any terms or conditions proposed in Buyer's purchase order or other documents which are inconsistent with, or in addition to, these Terms.
2. **Prices; Payment Terms.** All prices stated are current, subject to change without notice by Omron. Omron reserves the right to increase or decrease prices on any unshipped portions of outstanding orders. Payments for Products are due net 30 days unless otherwise stated in the invoice.
3. **Discounts.** Cash discounts, if any, will apply only on the net amount of invoices sent to Buyer after deducting transportation charges, taxes and duties, and will be allowed only if (i) the invoice is paid according to Omron's payment terms and (ii) Buyer has no past due amounts.
4. **Interest.** Omron, at its option, may charge Buyer 1-1/2% interest per month or the maximum legal rate, whichever is less, on any balance not paid within the stated terms.
5. **Orders.** Omron will accept no order less than \$200 net billing.
6. **Governmental Approvals.** Buyer shall be responsible for, and shall bear all costs involved in, obtaining any government approvals required for the importation or sale of the Products.
7. **Taxes.** All taxes, duties and other governmental charges (other than general real property and income taxes), including any interest or penalties thereon, imposed directly or indirectly on Omron or required to be collected directly or indirectly by Omron for the manufacture, production, sale, delivery, importation, consumption or use of the Products sold hereunder (including customs duties and sales, excise, use, turnover and license taxes) shall be charged to and remitted by Buyer to Omron.
8. **Financial.** If the financial position of Buyer at any time becomes unsatisfactory to Omron, Omron reserves the right to stop shipments or require satisfactory security or payment in advance. If Buyer fails to make payment or otherwise comply with these Terms or any related agreement, Omron may (without liability and in addition to other remedies) cancel any unshipped portion of Products sold hereunder and stop any Products in transit until Buyer pays all amounts, including amounts payable hereunder, whether or not then due, which are owing to it by Buyer. Buyer shall in any event remain liable for all unpaid accounts.
9. **Cancellation; Etc.** Orders are not subject to rescheduling or cancellation unless Buyer indemnifies Omron against all related costs or expenses.
10. **Force Majeure.** Omron shall not be liable for any delay or failure in delivery resulting from causes beyond its control, including earthquakes, fires, floods, strikes or other labor disputes, shortage of labor or materials, accidents to machinery, acts of sabotage, riots, delay in or lack of transportation or the requirements of any government authority.
11. **Shipping; Delivery.** Unless otherwise expressly agreed in writing by Omron:
 - a. Shipments shall be by a carrier selected by Omron; Omron will not drop ship except in "break down" situations.
 - b. Such carrier shall act as the agent of Buyer and delivery to such carrier shall constitute delivery to Buyer;
 - c. All sales and shipments of Products shall be FOB shipping point (unless otherwise stated in writing by Omron), at which point title and risk of loss shall pass from Omron to Buyer; provided that Omron shall retain a security interest in the Products until the full purchase price is paid;
 - d. Delivery and shipping dates are estimates only; and
 - e. Omron will package Products as it deems proper for protection against normal handling and extra charges apply to special conditions.
12. **Claims.** Any claim by Buyer against Omron for shortage or damage to the Products occurring before delivery to the carrier must be presented in writing to Omron within 30 days of receipt of shipment and include the original transportation bill signed by the carrier noting that the carrier received the Products from Omron in the condition claimed.
13. **Warranties.** (a) **Exclusive Warranty.** Omron's exclusive warranty is that the Products will be free from defects in materials and workmanship for a period of twelve months from the date of sale by Omron (or such other period expressed in writing by Omron). Omron disclaims all other warranties, express or implied. (b) **Limitations.** OMRON MAKES NO WARRANTY OR REPRESENTATION, EXPRESS OR IMPLIED, ABOUT NON-INFRINGEMENT, MERCHANTABILITY OR FITNESS FOR A PARTICULAR PURPOSE OF THE PRODUCTS. BUYER ACKNOWLEDGES THAT IT ALONE HAS DETERMINED THAT THE PRODUCTS WILL SUITABLY MEET THE REQUIREMENTS OF THEIR INTENDED USE. Omron further disclaims all warranties and responsibility of any type for claims or expenses based on infringement by the Products or otherwise of any intellectual property right. (c) **Buyer Remedy.** Omron's sole obligation hereunder shall be, at Omron's election, to (i) replace (in the form originally shipped with Buyer responsible for labor charges for removal or replacement thereof) the non-complying Product, (ii) repair the non-complying Product, or (iii) repay or credit Buyer an amount equal to the purchase price of the non-complying Product; provided that in no event shall Omron be responsible for warranty, repair, indemnity or any other claims or expenses regarding the Products unless Omron's analysis confirms that the Products were properly handled, stored, installed and maintained and not subject to contamination, abuse, misuse or inappropriate modification. Return of any Products by Buyer must be approved in writing by Omron before shipment. Omron Companies shall not be liable for the suitability or unsuitability or the results from the use of Products in combination with any electrical or electronic components, circuits, system assemblies or any other materials or substances or environments. Any advice, recommendations or information given orally or in writing, are not to be construed as an amendment or addition to the above warranty. See <http://www.omron247.com> or contact your Omron representative for published information.
14. **Limitation on Liability; Etc.** OMRON COMPANIES SHALL NOT BE LIABLE FOR SPECIAL, INDIRECT, INCIDENTAL, OR CONSEQUENTIAL DAMAGES, LOSS OF PROFITS OR PRODUCTION OR COMMERCIAL LOSS IN ANY WAY CONNECTED WITH THE PRODUCTS, WHETHER SUCH CLAIM IS BASED IN CONTRACT, WARRANTY, NEGLIGENCE OR STRICT LIABILITY. Further, in no event shall liability of Omron Companies exceed the individual price of the Product on which liability is asserted.
15. **Indemnities.** Buyer shall indemnify and hold harmless Omron Companies and their employees from and against all liabilities, losses, claims, costs and expenses (including attorney's fees and expenses) related to any claim, investigation, litigation or proceeding (whether or not Omron is a party) which arises or is alleged to arise from Buyer's acts or omissions under these Terms or in any way with respect to the Products. Without limiting the foregoing, Buyer (at its own expense) shall indemnify and hold harmless Omron and defend or settle any action brought against such Companies to the extent based on a claim that any Product made to Buyer specifications infringed intellectual property rights of another party.
16. **Property; Confidentiality.** Any intellectual property in the Products is the exclusive property of Omron Companies and Buyer shall not attempt to duplicate it in any way without the written permission of Omron. Notwithstanding any charges to Buyer for engineering or tooling, all engineering and tooling shall remain the exclusive property of Omron. All information and materials supplied by Omron to Buyer relating to the Products are confidential and proprietary, and Buyer shall limit distribution thereof to its trusted employees and strictly prevent disclosure to any third party.
17. **Export Controls.** Buyer shall comply with all applicable laws, regulations and licenses regarding (i) export of products or information; (ii) sale of products to "forbidden" or other proscribed persons; and (iii) disclosure to non-citizens of regulated technology or information.
18. **Miscellaneous.** (a) **Waiver.** No failure or delay by Omron in exercising any right and no course of dealing between Buyer and Omron shall operate as a waiver of rights by Omron. (b) **Assignment.** Buyer may not assign its rights hereunder without Omron's written consent. (c) **Law.** These Terms are governed by the law of the jurisdiction of the home office of the Omron company from which Buyer is purchasing the Products (without regard to conflict of law principles). (d) **Amendment.** These Terms constitute the entire agreement between Buyer and Omron relating to the Products, and no provision may be changed or waived unless in writing signed by the parties. (e) **Severability.** If any provision hereof is rendered ineffective or invalid, such provision shall not invalidate any other provision. (f) **Setoff.** Buyer shall have no right to set off any amounts against the amount owing in respect of this invoice. (g) **Definitions.** As used herein, "including" means "including without limitation"; and "Omron Companies" (or similar words) mean Omron Corporation and any direct or indirect subsidiary or affiliate thereof.

Certain Precautions on Specifications and Use

1. **Suitability of Use.** Omron Companies shall not be responsible for conformity with any standards, codes or regulations which apply to the combination of the Product in the Buyer's application or use of the Product. At Buyer's request, Omron will provide applicable third party certification documents identifying ratings and limitations of use which apply to the Product. This information by itself is not sufficient for a complete determination of the suitability of the Product in combination with the end product, machine, system, or other application or use. Buyer shall be solely responsible for determining appropriateness of the particular Product with respect to Buyer's application, product or system. Buyer shall take application responsibility in all cases but the following is a non-exhaustive list of applications for which particular attention must be given: (i) Outdoor use, uses involving potential chemical contamination or electrical interference, or conditions or uses not described in this document. (ii) Use in consumer products or any use in significant quantities. (iii) Energy control systems, combustion systems, railroad systems, aviation systems, medical equipment, amusement machines, vehicles, safety equipment, and installations subject to separate industry or government regulations. (iv) Systems, machines and equipment that could present a risk to life or property. Please know and observe all prohibitions of use applicable to this Product. NEVER USE THE PRODUCT FOR AN APPLICATION INVOLVING SERIOUS RISK TO LIFE OR PROPERTY OR IN LARGE QUANTITIES WITHOUT ENSURING THAT THE SYSTEM AS A WHOLE HAS BEEN DESIGNED TO ADDRESS THE RISKS, AND THAT THE OMRON'S PRODUCT IS PROPERLY RATED AND INSTALLED FOR THE INTENDED USE WITHIN THE OVERALL EQUIPMENT OR SYSTEM.
2. **Programmable Products.** Omron Companies shall not be responsible for the user's programming of a programmable Product, or any consequence thereof.
3. **Performance Data.** Data presented in Omron Company websites, catalogs and other materials is provided as a guide for the user in determining suitability and does not constitute a warranty. It may represent the result of Omron's test conditions, and the user must correlate it to actual application requirements. Actual performance is subject to the Omron's Warranty and Limitations of Liability.
4. **Change in Specifications.** Product specifications and accessories may be changed at any time based on improvements and other reasons. It is our practice to change part numbers when published ratings or features are changed, or when significant construction changes are made. However, some specifications of the Product may be changed without any notice. When in doubt, special part numbers may be assigned to fix or establish key specifications for your application. Please consult with your Omron's representative at any time to confirm actual specifications of purchased Product.
5. **Errors and Omissions.** Information presented by Omron Companies has been checked and is believed to be accurate; however, no responsibility is assumed for clerical, typographical or proofreading errors or omissions.

OMRON AUTOMATION AND SAFETY • THE AMERICAS HEADQUARTERS • Hoffman Estates, IL USA • 847.843.7900 • 800.556.6766 • www.omron247.com

OMRON CANADA, INC. • HEAD OFFICE

Toronto, ON, Canada • 416.286.6465 • 866.986.6766 • www.omron247.com

OMRON ELECTRONICS DE MEXICO • HEAD OFFICE

México DF • 52.55.59.01.43.00 • 01-800-226-6766 • mela@omron.com

OMRON ELECTRONICS DE MEXICO • SALES OFFICE

Apodaca, N.L. • 52.81.11.56.99.20 • 01-800-226-6766 • mela@omron.com

OMRON ELETRÔNICA DO BRASIL LTDA • HEAD OFFICE

São Paulo, SP, Brasil • 55.11.2101.6300 • www.omron.com.br

OMRON ARGENTINA • SALES OFFICE

Cono Sur • 54.11.4783.5300

OMRON CHILE • SALES OFFICE

Santiago • 56.9.9917.3920

OTHER OMRON LATIN AMERICA SALES

54.11.4783.5300

OMRON EUROPE B.V. • Wegalaan 67-69, NL-2132 JD, Hoofddorp, The Netherlands. • +31 (0) 23 568 13 00 • www.industrial.omron.eu

Authorized Distributor:

Automation Control Systems

- Machine Automation Controllers (MAC) • Programmable Controllers (PLC)
- Operator interfaces (HMI) • Distributed I/O • Software

Drives & Motion Controls

- Servo & AC Drives • Motion Controllers & Encoders

Temperature & Process Controllers

- Single and Multi-loop Controllers

Sensors & Vision

- Proximity Sensors • Photoelectric Sensors • Fiber-Optic Sensors
- Amplified Photomicrosensors • Measurement Sensors
- Ultrasonic Sensors • Vision Sensors

Industrial Components

- RFID/Code Readers • Relays • Pushbuttons & Indicators
- Limit and Basic Switches • Timers • Counters • Metering Devices
- Power Supplies

Safety

- Laser Scanners • Safety Mats • Edges and Bumpers • Programmable Safety Controllers • Light Curtains • Safety Relays • Safety Interlock Switches