

Safety Edges

Safety Edges (SGE & SCS Series Profiles)

- Profile materials NBR (SCS series only), EPDM or TPE
- Available in six sizes for SGE Series and two sizes for SCS Series

Applicable Controllers

- SCC-1224 Single-Channel Controller
- SCC-1224ND Single-Channel Controller



Description

Safety edges are used on edges of guards and gates at possible crushing or shearing points. They are used on gates, machines, and handling equipment to protect people and equipment. Our SGE Series safety edges use the innovative design of co-extruded safety contact as an integral part of the safety edge. A complete unit consists of an aluminum mounting channel, the safety contact, and the safety edge. The special shapes of the EPDM, TPE, or NBR rubber profiles protect the safety contact from damage and allows actuation angles to exceed 90 degrees.

The last safety edge in a serial connection is terminated with a resistor, which is continuously monitored by the controller. This allows the entire circuit to be monitored for shorts and wire breaks.

The SGE Design

SGE series profiles are patented and offer improved technical characteristics with fewer components. Inside the safety edge is the co-extruded switching unit, which consists of two conductive rubber extrusions inside the chamber and a high-insulating material EPDM or TPE outer. Inside of each conductive rubber extrusion is a copper wire with low-resistance evaluation. The molded wiring plug at each end ensures the constant contact of the two conductive rubber extrusions of the switching unit. The end caps seal and protect the safety contact from dirt and water ingress. This innovative design significantly reduces assembly time, saving both time and money.

Important features of the SGE profile:

- Fast, accurate response even during lateral application of force
- Fewer components required for complete assembly
- Fast and easy assembly
- Integrated water drain (some models)
- Reduced weight

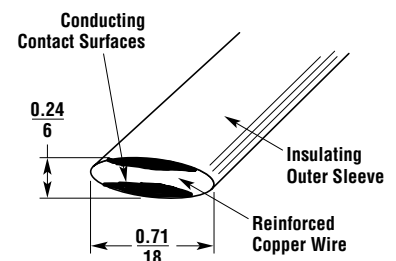
The SGE profile is currently available in six sizes from 8 mm to 65 mm in height. Profiles are available with sealing lips for applications such as doors.



The SCS Design

In SCS series safety edges, the safety contact is inserted into the switching chamber of the safety edge. The two ends are then sealed with a permanently elastic adhesive and end caps to keep the unit watertight.

All SCS series safety edges are available in NBR only.



Specifications

	SGE-88	SGE-1510	SGE-125	SGE-225	SGE-245/ SGE-245L	SGE-365 (Black)	SGEY-365 (Yellow)	SCS-2525	SCS-2540	
Material:	EPDM	TPE	TPE	EPDM	EPDM	EPDM	TPE	NBR	NBR	
Mounting:	DBL Side Tape	Integrated Angle on Profile or SCA-15-9	SCA-15-9	SCA-25/25L	SCA-25/25L	SCA-35/35L	SCA-35/35L	SCA-25/25L	SCA-25/25L	
Material Hardness:	68 Shore A	65 Shore A	65 Shore A	68 Shore A	68 Shore A	68 Shore A	68 Shore A	68 Shore A	68 Shore A	
Max. Length of a Single Safety Edge:	6.1 m									
Weight:	0.05 kg/m	0.11 kg/m	0.18/0.20 kg/m	0.51/0.5 kg/m	0.77/0.82 kg/m	1.10 kg/m	1.10 kg/m	0.37 kg/m	0.48 kg/m	
Enclosure:	IP65									
Mechanical Stability*1:	500 N									
Actuation Distance:	2.1 mm	4.23 mm	7.6 mm	4.5 mm	9.4 mm	5.16 mm	5.16 mm	5.4 mm	4.1 mm	
Actuation Force:	70 N with 10 mm/s	88 N with 50 mm/s	76 N	87 N	118 N	72.1 N	72.1 N	134 N	70 N	
Maximum Deformation at 400 N:	4.4 mm	4.7 mm	8.6 mm	6.7 mm	17.7 mm	33.78 mm	33.78 mm	11.8 mm	24 mm	
Switching Cycles:	10 ⁴									
Switching Angle:	2 x 10°	2 x 20°	2 x 30°	2 x 30°	2 x 45°	2 x 45°	2 x 45°	2 x 45°	2 x 30°	
Electrical Capacity:	24 V 100 mA									
Operating Temperature:	-10 to 55°C							+5 to 55°C	0 to 55°C	
Storage Temperature:	-25 to 75°C									
Max. Series Connection on the Safety Edges:	5 Connections									
Inactive End Region:	20 mm	25 mm	20 mm	40 mm					20 mm	
Connecting Cable:	2 Conductors, 34 mm ²									

*Actuation forces and distances are tested according to EN 1760-2, Speed 200 mm/s.

*1 Maximum operating force without damaging the edge.

Specifications are subject to change without notice.

Chemical Resistance

Features	TPE*	EPDM**	NBR***
Tear Strength (Resistance)	3	3	2
Ultimate Tensile Strength	3	3	2
Rebound Elasticity at 20°C	2	2	
Resistance Against Permanent Deformation	3-4	2	
Abrasion	3	3	2
Elongation at Tear	4-5	3	3
Cold Flexibility	2	2	3
Heat Stability	4	2	2
Oxidation Stability	1	1	3
UV Stability	1	1	3
Weather/Ozone Resistance	1	1	3
Flame Resistance	6	6	6
Gas Permeability	3	4	2

KEY:

1 = very good

6 = insufficient

*TPE: Thermoplastic Elastomer

Models include: SGE-125, SGEY-365

**EPDM: Ethylene Propylene Rubber: Good resistance to ozone and weathering. Particularly suitable for aggressive chemicals

Models include: SGE-88, SGE-1510, SGE-225, SGE-245, SGE-365

***NBR: Nitrile Butadiene Rubber: Good resistance to petroleum oils, aromatic hydrocarbons, mineral oils, and vegetable oils.

Models include: SCS-2525, SCS-2540

Features	TPE*	EPDM**	NBR***
Water Resistance	1	1-2	1
Diluted Acids	1	2	3
Diluted Bases	1	2	2
Non-Oxidizing Acids	2	2	3
Oxidizing Acids	2	4	5
ASTM Oil #3	2	6	1
Vegetable Oils	1-2	5	1
Organic Solvents		2	5
Ester Solvents	2-3	2	
Ketone Solvents (Containing Oxygen)	2-3	3	5
Aliphatic Hydrocarbons (Gasoline)		5	1
Aromatic Hydrocarbons		6	2-3
Hydrogen Hydrocarbons		6	5
Hydrocarbons	2-3	5-6	
Alcohol	1	1	5

KEY:

1 = No Effects, Permanent Contact

2 = Few Effects, Some Contact

3 = Medium Effects, Some Contact

4 = Noticeable Effects, Reduced Contact

5 = Severe Effects, Very Brief Contact

6 = Extreme Effects, Avoid Contact

Force Distance

SGE-125:

Characteristic Values for Test Speed v=10 mm/s

Test Temperature	+20°C
Actuating Force Fa (N)	27.3
Actuating Distance Sb (mm)	1.8
Overtravel Distance Sv @ 250N in MM	8.3
Overtravel Distance Sv @ 400N in MM	10.6
Overtravel Distance Sv @ 600N in MM	11.5

Tested according to EN 1760-2, test unit round 80 mm, actuating point C3.

SGE-125:

Characteristic Values for Test Speed v=100 mm/s

Test Temperature	+20°C
Actuating Force Fa (N)	33
Actuating Distance Sb (mm)	1.9
Overtravel Distance Sv @ 250N in MM	10.1
Overtravel Distance Sv @ 400N in MM	11.1
Overtravel Distance Sv @ 600N in MM	12.2

Tested according to EN 1760-2, test unit round 80 mm, actuating point C3.

SGE-225:

Characteristic Values for Test Speed v=10 mm/s

Test Temperature	+20°C
Actuating Force Fa (N)	56.7
Actuating Distance Sb (mm)	3.9
Overtravel Distance Sv @ 250N in MM	2.3
Overtravel Distance Sv @ 400N in MM	6.7
Overtravel Distance Sv @ 600N in MM	12.0

Tested according to EN 1760-2, test unit round 80 mm, actuating point C3.

SGE-225:

Characteristic Values for Test Speed v=100 mm/s

Test Temperature	+20°C
Actuating Force Fa (N)	62.7
Actuating Distance Sb (mm)	4.4
Overtravel Distance Sv @ 250N in MM	2.7
Overtravel Distance Sv @ 400N in MM	7.2
Overtravel Distance Sv @ 600N in MM	12.0

Tested according to EN 1760-2, test unit round 80 mm, actuating point C3.

SGE-245:

Characteristic Values for Test Speed v=10 mm/s

Test Temperature	+20°C
Actuating Force Fa (N)	67.7
Actuating Distance Sb (mm)	7.4
Overtravel Distance Sv @ 250N in MM	15.8
Overtravel Distance Sv @ 400N in MM	18.3
Overtravel Distance Sv @ 600N in MM	21.7

Tested according to EN 1760-2, test unit round 80 mm, actuating point C3.

SGE-245:

Characteristic Values for Test Speed v=100 mm/s

Test Temperature	+20°C
Actuating Force Fa (N)	82.7
Actuating Distance Sb (mm)	7.8
Overtravel Distance Sv @ 250N in MM	15.2
Overtravel Distance Sv @ 400N in MM	17.7
Overtravel Distance Sv @ 600N in MM	21.9

Tested according to EN 1760-2, test unit round 80 mm, actuating point C3.

SGE-365:

Characteristic Values for Test Speed v=10 mm/s

Test Temperature	+20°C
Actuating Force Fa (N)	78.2
Actuating Distance Sb (mm)	5.16
Overtravel Distance Sv @ 250N in MM	29.82
Overtravel Distance Sv @ 400N in MM	33.78
Overtravel Distance Sv @ 600N in MM	36.51

Tested according to EN 1760-2, test unit round 80 mm, actuating point C3.

SGE-365:

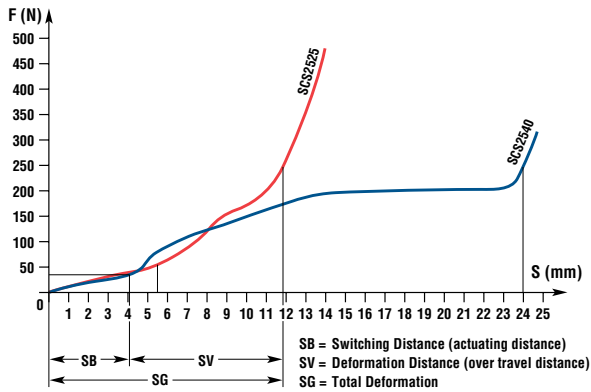
Characteristic Values for Test Speed v=100 mm/s

Test Temperature	+20°C
Actuating Force Fa (N)	107.7
Actuating Distance Sb (mm)	6.23
Overtravel Distance Sv @ 250N in MM	28.37
Overtravel Distance Sv @ 400N in MM	32.76
Overtravel Distance Sv @ 600N in MM	35.34

Tested according to EN 1760-2, test unit round 80 mm, actuating point C3.

Force Distance (continued)

SCS-2525 and SCS-2540



Bending Angles and Radii

The flat aluminum mounting channel must be prepared at the factory if it has to be bent. To order bending safety edges, please consult OMRON Automation and Safety.

Bending angles for different assembly arrangements:

Type	Bending Angle		
	A	B	C
SGE-88	45°	30°	30°
SGE-125	45°	20°	20°
SGE-1510	45°	20°	15°
SGE-225	45°	20°	30°
SGE-245	45°	10°	20°
SGE-245L	45°	10°	20°
SGE-365	45°	10°	15°

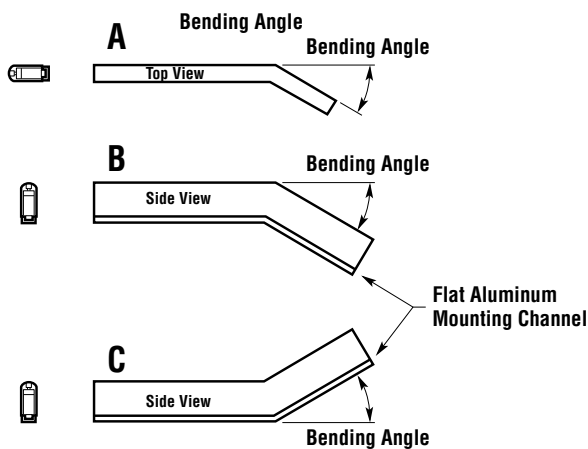


Figure 1

Notes:
 By bending the safety edges, the profiles with sealing lip becomes compressed and corrugated.
 Bending angle and radii are not part of the tests complying with EN1760-2 and EN12978.

Bending radii for different assembly arrangements:

Type	Bending Radius (mm)		
	Fig. 2	Fig. 3	Fig. 4
SGE-88	200	200	50
SGE-125	200	200	200
SGE-1510	200	200	200
SGE-225	300	400	200
SGE-245	400	500	200
SGE-365	800	800	500

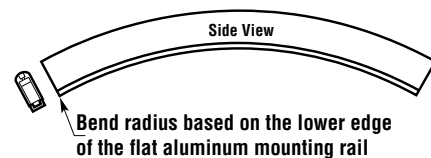


Figure 2

Flat Aluminum Mounting Channel

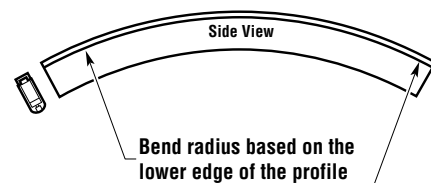


Figure 3

Flat Aluminum Mounting Channel

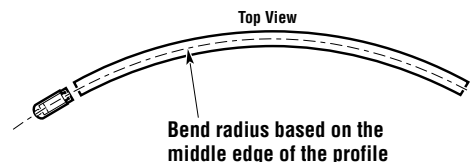
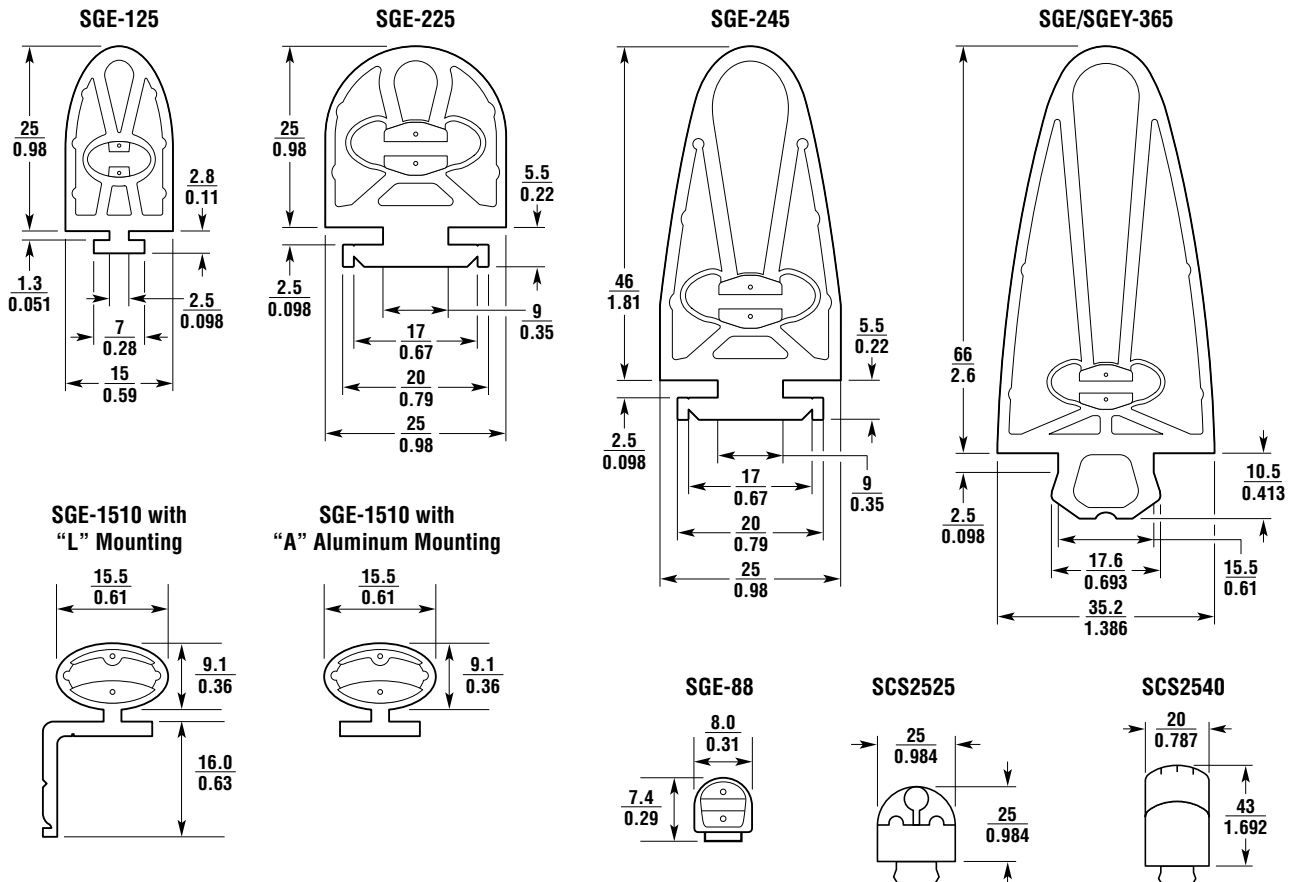


Figure 4

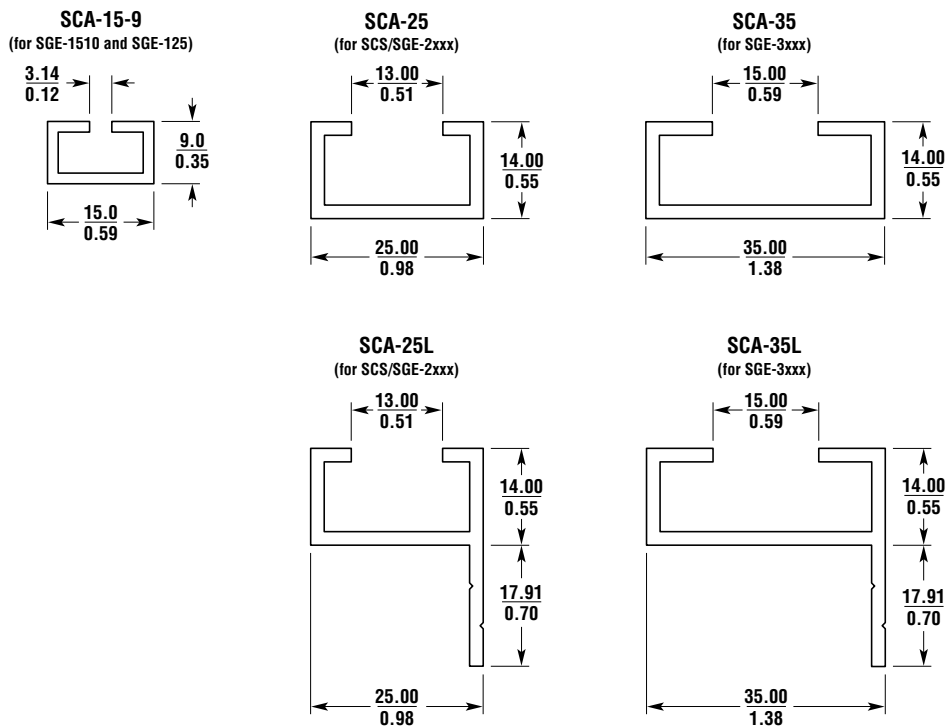
Dimensions

(mm/in.)

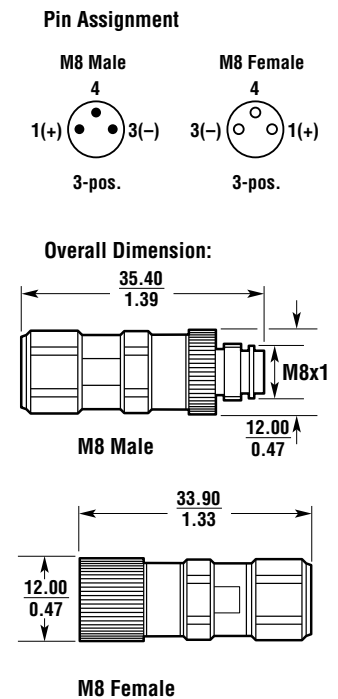
Safety Edges



Aluminum Fastening Profiles

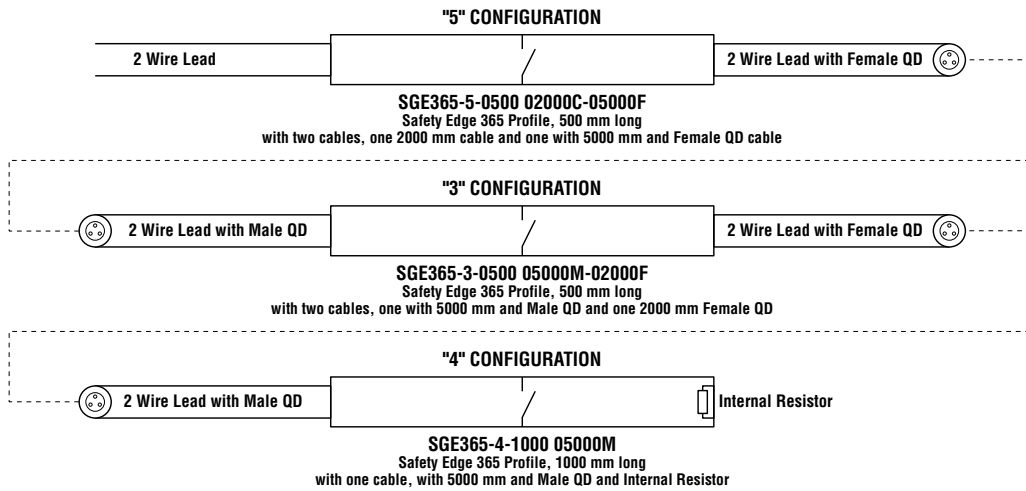


Cable Connectors

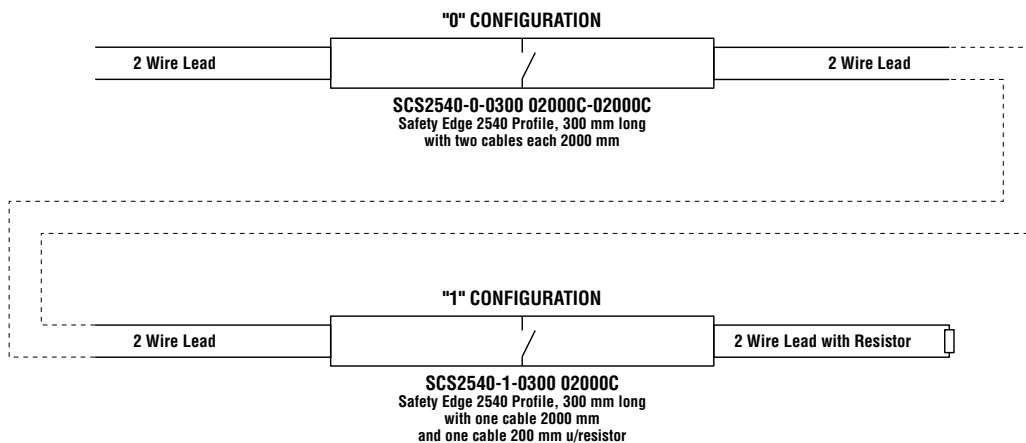


Typical Installation

APPLICATION OF 3 EDGES TO FORM 1 SYSTEM

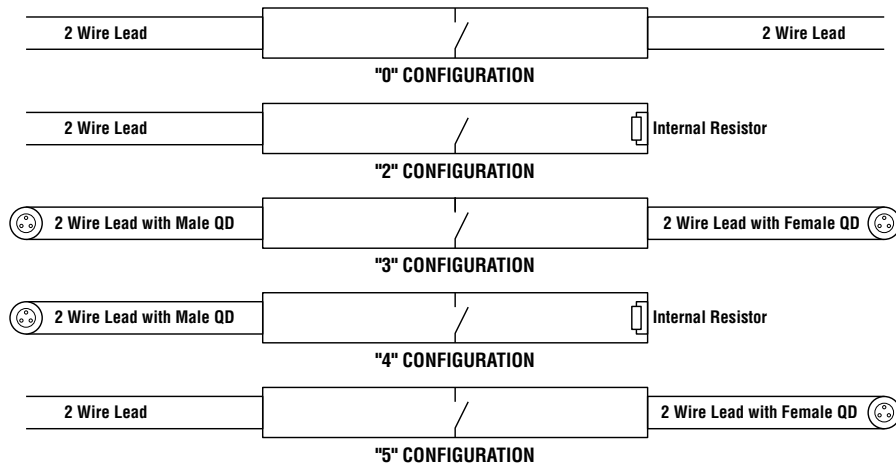


APPLICATION OF 2 EDGES TO FORM 1 SYSTEM WITH EXTERNAL RESISTOR



Wiring

Available Configurations



Ordering

SGE Series

SGE - [] - [] - [] - [] - [] - []	
Safety Edge Configuration*	
88	8 mm x 8 mm
1510	15 mm x 10 mm
125	15 mm x 25 mm
225	25 mm x 25 mm
245	25 mm x 45 mm
245L	25 mm x 45 mm, with Sealing Lip
365	35 mm x 65 mm, black
Y365	35 mm x 65 mm, yellow
Wiring Configuration	
0	Two 2-wire connections
2	One 2-wire connection and one internal resistor connection
3	One quick-disconnect male and one quick-disconnect female connector
4	One quick-disconnect male and one internal resistor connection
5	One quick-disconnect female and 2-wire connection
Length	Specify length in increments of 10 mm, from 150 mm up to 6100 mm, use 4-digits
Mounting**	(blank) Standard Mounting (all except 1510) L Angle aluminum mounting channel (all except 1510 and 125) L Rubber lip mounting for ONLY SGE-1510 A Aluminum mounting for ONLY SGE 1510 N No mounting channel supplied
First Cable Length	Specify length in mm from 100 to 10,000 using 5 digits*** End with "C" for wiring configurations 0, 2 or 5. End with "M" for wiring configurations 3 or 4. Cables exit bottom of profile, except 125 that exits on right side looking at end.
Second Cable Length	Specify length in mm from 100 to 10,000 using 5 digits*** End with "C" for wiring configuration 0. End with "F" for wiring configurations 3 or 5. Cables exit bottom of profile, except 125 that exits on left side looking at end.

SCS Series

SCS - [] - [] - [] - [] - [] - []	
Safety Edge Configuration*	
2525	25 mm x 25 mm (Available in NBR only)
2540	25 mm x 40 mm (Available in NBR only)
Wiring Configuration	
0	Two 2-wire connections
1	One 2-wire connection and one external resistor connection
2	One 2-wire connection and one internal resistor connection
3	One quick-disconnect male and one quick-disconnect female connector
4	One quick-disconnect male and one internal resistor connection
5	One quick-disconnect female and 2-wire connection
Length	Specify length in increments of 10 mm up to 6100 mm, use 4-digits
Mounting**	(blank) Standard Mounting L Angle aluminum mounting channel N No mounting channel supplied
First Cable Length	Specify length in mm from 100 to 10,000 using 5 digits***
Second Cable Length	Specify length in mm from 100 to 10,000 using 5 digits***

* Standard material for most configurations is EPDM (Exception: Standard material for the SGE-125 and SGEY-365 are TPE; SCS-2525; and SCS-2540 are available in NBR only).

** Angle mounting channel is available for all profiles except the SGE-125 and SGE-1510

*** Examples: SGE-125-2-0150 05000C

SGE-125-3-0150 05000M-05000F

150 mm cable with Male QD = 00150M

**** For non-standard cable exit contact factory

Terms and Conditions of Sale

1. **Offer; Acceptance.** These terms and conditions (these "**Terms**") are deemed part of all quotes, agreements, purchase orders, acknowledgments, price lists, catalogs, manuals, brochures and other documents, whether electronic or in writing, relating to the sale of products or services (collectively, the "**Products**") by Omron Electronics LLC and its subsidiary companies ("**Omron**"). Omron objects to any terms or conditions proposed in Buyer's purchase order or other documents which are inconsistent with, or in addition to, these Terms.
2. **Prices; Payment Terms.** All prices stated are current, subject to change without notice by Omron. Omron reserves the right to increase or decrease prices on any unshipped portions of outstanding orders. Payments for Products are due net 30 days unless otherwise stated in the invoice.
3. **Discounts.** Cash discounts, if any, will apply only on the net amount of invoices sent to Buyer after deducting transportation charges, taxes and duties, and will be allowed only if (i) the invoice is paid according to Omron's payment terms and (ii) Buyer has no past due amounts.
4. **Interest.** Omron, at its option, may charge Buyer 1-1/2% interest per month or the maximum legal rate, whichever is less, on any balance not paid within the stated terms.
5. **Orders.** Omron will accept no order less than \$200 net billing.
6. **Governmental Approvals.** Buyer shall be responsible for, and shall bear all costs involved in, obtaining any government approvals required for the importation or sale of the Products.
7. **Taxes.** All taxes, duties and other governmental charges (other than general real property and income taxes), including any interest or penalties thereon, imposed directly or indirectly on Omron or required to be collected directly or indirectly by Omron for the manufacture, production, sale, delivery, importation, consumption or use of the Products sold hereunder (including customs duties and sales, excise, use, turnover and license taxes) shall be charged to and remitted by Buyer to Omron.
8. **Financial.** If the financial position of Buyer at any time becomes unsatisfactory to Omron, Omron reserves the right to stop shipments or require satisfactory security or payment in advance. If Buyer fails to make payment or otherwise comply with these Terms or any related agreement, Omron may (without liability and in addition to other remedies) cancel any unshipped portion of Products sold hereunder and stop any Products in transit until Buyer pays all amounts, including amounts payable hereunder, whether or not then due, which are owing to it by Buyer. Buyer shall in any event remain liable for all unpaid accounts.
9. **Cancellation; Etc.** Orders are not subject to rescheduling or cancellation unless Buyer indemnifies Omron against all related costs or expenses.
10. **Force Majeure.** Omron shall not be liable for any delay or failure in delivery resulting from causes beyond its control, including earthquakes, fires, floods, strikes or other labor disputes, shortage of labor or materials, accidents to machinery, acts of sabotage, riots, delay in or lack of transportation or the requirements of any government authority.
11. **Shipping; Delivery.** Unless otherwise expressly agreed in writing by Omron:
 - a. Shipments shall be by a carrier selected by Omron; Omron will not drop ship except in "break down" situations.
 - b. Such carrier shall act as the agent of Buyer and delivery to such carrier shall constitute delivery to Buyer;
 - c. All sales and shipments of Products shall be FOB shipping point (unless otherwise stated in writing by Omron), at which point title and risk of loss shall pass from Omron to Buyer; provided that Omron shall retain a security interest in the Products until the full purchase price is paid;
 - d. Delivery and shipping dates are estimates only; and
 - e. Omron will package Products as it deems proper for protection against normal handling and extra charges apply to special conditions.
12. **Claims.** Any claim by Buyer against Omron for shortage or damage to the Products occurring before delivery to the carrier must be presented in writing to Omron within 30 days of receipt of shipment and include the original transportation bill signed by the carrier noting that the carrier received the Products from Omron in the condition claimed.
13. **Warranties.** (a) **Exclusive Warranty.** Omron's exclusive warranty is that the Products will be free from defects in materials and workmanship for a period of twelve months from the date of sale by Omron (or such other period expressed in writing by Omron). Omron disclaims all other warranties, express or implied. (b) **Limitations.** OMRON MAKES NO WARRANTY OR REPRESENTATION, EXPRESS OR IMPLIED, ABOUT NON-INFRINGEMENT, MERCHANTABILITY OR FITNESS FOR A PARTICULAR PURPOSE OF THE PRODUCTS. BUYER ACKNOWLEDGES THAT IT ALONE HAS DETERMINED THAT THE PRODUCTS WILL SUITABLY MEET THE REQUIREMENTS OF THEIR INTENDED USE. Omron further disclaims all warranties and responsibility of any type for claims or expenses based on infringement by the Products or otherwise of any intellectual property right. (c) **Buyer Remedy.** Omron's sole obligation hereunder shall be, at Omron's election, to (i) replace (in the form originally shipped with Buyer responsible for labor charges for removal or replacement thereof) the non-complying Product, (ii) repair the non-complying Product, or (iii) repay or credit Buyer an amount equal to the purchase price of the non-complying Product; provided that in no event shall Omron be responsible for warranty, repair, indemnity or any other claims or expenses regarding the Products unless Omron's analysis confirms that the Products were properly handled, stored, installed and maintained and not subject to contamination, abuse, misuse or inappropriate modification. Return of any Products by Buyer must be approved in writing by Omron before shipment. Omron Companies shall not be liable for the suitability or unsuitability or the results from the use of Products in combination with any electrical or electronic components, circuits, system assemblies or any other materials or substances or environments. Any advice, recommendations or information given orally or in writing, are not to be construed as an amendment or addition to the above warranty. See <http://www.omron247.com> or contact your Omron representative for published information.
14. **Limitation on Liability; Etc.** OMRON COMPANIES SHALL NOT BE LIABLE FOR SPECIAL, INDIRECT, INCIDENTAL, OR CONSEQUENTIAL DAMAGES, LOSS OF PROFITS OR PRODUCTION OR COMMERCIAL LOSS IN ANY WAY CONNECTED WITH THE PRODUCTS, WHETHER SUCH CLAIM IS BASED IN CONTRACT, WARRANTY, NEGLIGENCE OR STRICT LIABILITY. Further, in no event shall liability of Omron Companies exceed the individual price of the Product on which liability is asserted.
15. **Indemnities.** Buyer shall indemnify and hold harmless Omron Companies and their employees from and against all liabilities, losses, claims, costs and expenses (including attorney's fees and expenses) related to any claim, investigation, litigation or proceeding (whether or not Omron is a party) which arises or is alleged to arise from Buyer's acts or omissions under these Terms or in any way with respect to the Products. Without limiting the foregoing, Buyer (at its own expense) shall indemnify and hold harmless Omron and defend or settle any action brought against such Companies to the extent based on a claim that any Product made to Buyer specifications infringed intellectual property rights of another party.
16. **Property; Confidentiality.** Any intellectual property in the Products is the exclusive property of Omron Companies and Buyer shall not attempt to duplicate it in any way without the written permission of Omron. Notwithstanding any charges to Buyer for engineering or tooling, all engineering and tooling shall remain the exclusive property of Omron. All information and materials supplied by Omron to Buyer relating to the Products are confidential and proprietary, and Buyer shall limit distribution thereof to its trusted employees and strictly prevent disclosure to any third party.
17. **Export Controls.** Buyer shall comply with all applicable laws, regulations and licenses regarding (i) export of products or information; (ii) sale of products to "forbidden" or other proscribed persons; and (iii) disclosure to non-citizens of regulated technology or information.
18. **Miscellaneous.** (a) **Waiver.** No failure or delay by Omron in exercising any right and no course of dealing between Buyer and Omron shall operate as a waiver of rights by Omron. (b) **Assignment.** Buyer may not assign its rights hereunder without Omron's written consent. (c) **Law.** These Terms are governed by the law of the jurisdiction of the home office of the Omron company from which Buyer is purchasing the Products (without regard to conflict of law principles). (d) **Amendment.** These Terms constitute the entire agreement between Buyer and Omron relating to the Products, and no provision may be changed or waived unless in writing signed by the parties. (e) **Severability.** If any provision hereof is rendered ineffective or invalid, such provision shall not invalidate any other provision. (f) **Setoff.** Buyer shall have no right to set off any amounts against the amount owing in respect of this invoice. (g) **Definitions.** As used herein, "including" means "including without limitation"; and "Omron Companies" (or similar words) mean Omron Corporation and any direct or indirect subsidiary or affiliate thereof.

Certain Precautions on Specifications and Use

1. **Suitability of Use.** Omron Companies shall not be responsible for conformity with any standards, codes or regulations which apply to the combination of the Product in the Buyer's application or use of the Product. At Buyer's request, Omron will provide applicable third party certification documents identifying ratings and limitations of use which apply to the Product. This information by itself is not sufficient for a complete determination of the suitability of the Product in combination with the end product, machine, system, or other application or use. Buyer shall be solely responsible for determining appropriateness of the particular Product with respect to Buyer's application, product or system. Buyer shall take application responsibility in all cases but the following is a non-exhaustive list of applications for which particular attention must be given: (i) Outdoor use, uses involving potential chemical contamination or electrical interference, or conditions or uses not described in this document. (ii) Use in consumer products or any use in significant quantities. (iii) Energy control systems, combustion systems, railroad systems, aviation systems, medical equipment, amusement machines, vehicles, safety equipment, and installations subject to separate industry or government regulations. (iv) Systems, machines and equipment that could present a risk to life or property. Please know and observe all prohibitions of use applicable to this Product. NEVER USE THE PRODUCT FOR AN APPLICATION INVOLVING SERIOUS RISK TO LIFE OR PROPERTY OR IN LARGE QUANTITIES WITHOUT ENSURING THAT THE SYSTEM AS A WHOLE HAS BEEN DESIGNED TO ADDRESS THE RISKS, AND THAT THE OMRON'S PRODUCT IS PROPERLY RATED AND INSTALLED FOR THE INTENDED USE WITHIN THE OVERALL EQUIPMENT OR SYSTEM.
2. **Programmable Products.** Omron Companies shall not be responsible for the user's programming of a programmable Product, or any consequence thereof.
3. **Performance Data.** Data presented in Omron Company websites, catalogs and other materials is provided as a guide for the user in determining suitability and does not constitute a warranty. It may represent the result of Omron's test conditions, and the user must correlate it to actual application requirements. Actual performance is subject to the Omron's Warranty and Limitations of Liability.
4. **Change in Specifications.** Product specifications and accessories may be changed at any time based on improvements and other reasons. It is our practice to change part numbers when published ratings or features are changed, or when significant construction changes are made. However, some specifications of the Product may be changed without any notice. When in doubt, special part numbers may be assigned to fix or establish key specifications for your application. Please consult with your Omron's representative at any time to confirm actual specifications of purchased Product.
5. **Errors and Omissions.** Information presented by Omron Companies has been checked and is believed to be accurate; however, no responsibility is assumed for clerical, typographical or proofreading errors or omissions.

OMRON AUTOMATION AND SAFETY • THE AMERICAS HEADQUARTERS • Chicago, IL USA • 847.843.7900 • 800.556.6766 • www.omron247.com

OMRON CANADA, INC. • HEAD OFFICE

Toronto, ON, Canada • 416.286.6465 • 866.986.6766 • www.omron247.com

OMRON ELECTRONICS DE MEXICO • HEAD OFFICE

México DF • 52.55.59.01.43.00 • 01-800-226-6766 • mela@omron.com

OMRON ELECTRONICS DE MEXICO • SALES OFFICE

Apodaca, N.L. • 52.81.11.56.99.20 • 01-800-226-6766 • mela@omron.com

OMRON ELETRÔNICA DO BRASIL LTDA • HEAD OFFICE

São Paulo, SP, Brasil • 55.11.2101.6300 • www.omron.com.br

OMRON ARGENTINA • SALES OFFICE

Cono Sur • 54.11.4783.5300

OMRON CHILE • SALES OFFICE

Santiago • 56.9.9917.3920

OTHER OMRON LATIN AMERICA SALES

54.11.4783.5300

OMRON EUROPE B.V. • Wegalaan 67-69, NL-2132 JD, Hoofddorp, The Netherlands. • +31 (0) 23 568 13 00 • www.industrial.omron.eu

Authorized Distributor:

Automation Control Systems

- Machine Automation Controllers (MAC) • Programmable Controllers (PLC)
- Operator interfaces (HMI) • Distributed I/O • Software

Drives & Motion Controls

- Servo & AC Drives • Motion Controllers & Encoders

Temperature & Process Controllers

- Single and Multi-loop Controllers

Sensors & Vision

- Proximity Sensors • Photoelectric Sensors • Fiber-Optic Sensors
- Amplified Photomicrosensors • Measurement Sensors
- Ultrasonic Sensors • Vision Sensors

Industrial Components

- RFID/Code Readers • Relays • Pushbuttons & Indicators
- Limit and Basic Switches • Timers • Counters • Metering Devices
- Power Supplies

Safety

- Laser Scanners • Safety Mats • Edges and Bumpers • Programmable Safety Controllers • Light Curtains • Safety Relays • Safety Interlock Switches