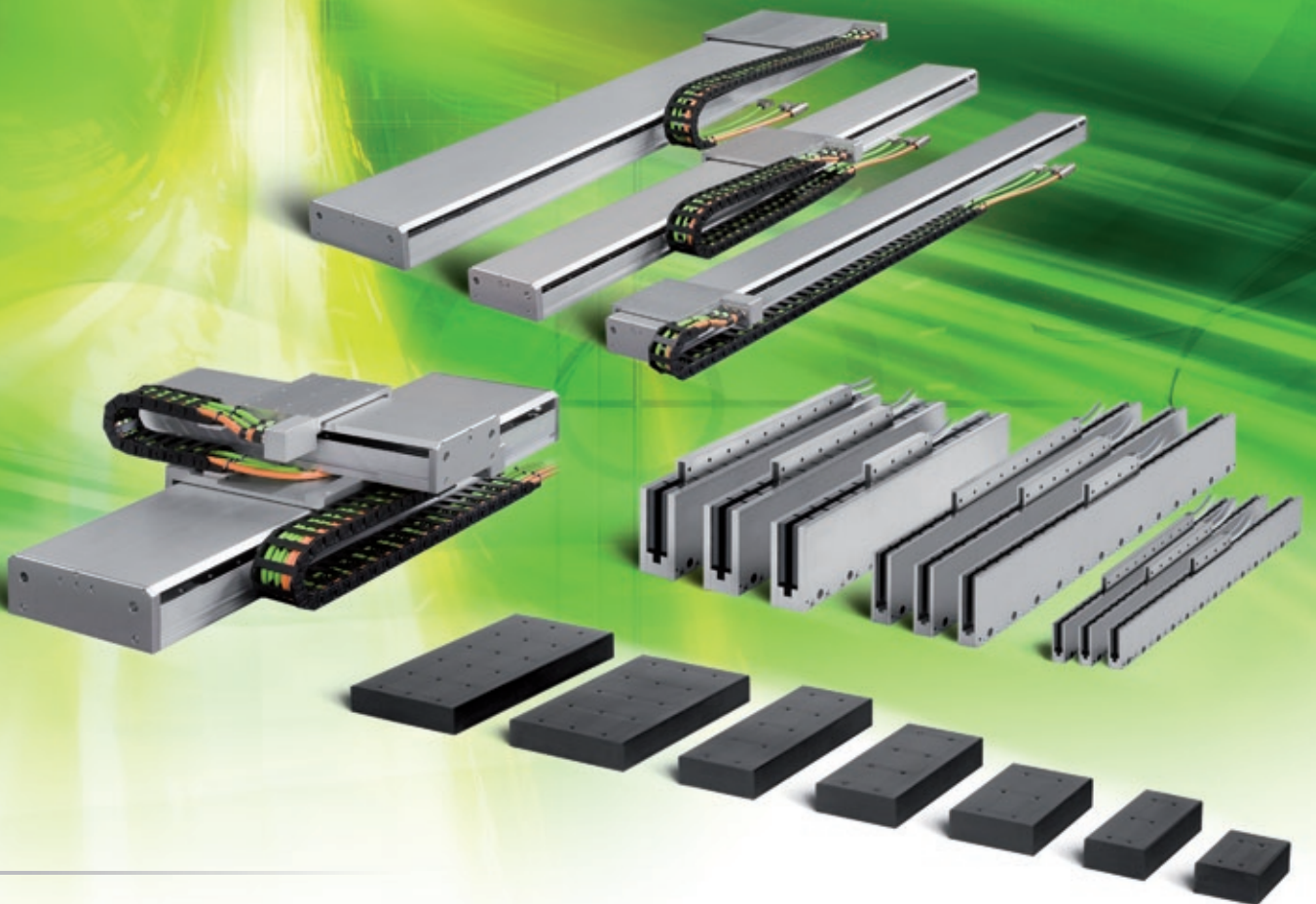


# ACCURAX LINEAR MOTORS

New series with optimised efficiency



**accurax**

- » Flexible system solutions
- » High dynamic & precise positioning
- » Product customization

# Linear motors & magnet tracks

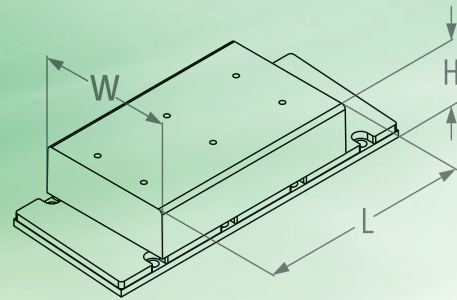


## Iron-core linear motors

Product name	Motor length L [mm]	System width W [mm]	System height H [mm]	Peak force Fp [N]	Nominal force Fc [N]	Weight coil unit Mp [kg]	Weight magnet track Ms [kg/m]	Voltage Ubus [Vac]
R88L-EC-FW-0303-...	79	56	37.1	105	48	0.47	2.1	100/230/400
R88L-EC-FW-0306-...	127			210	96	0.78		
R88L-EC-FW-0606-...	127	80	37.1	400	160	1.31	3.8	
R88L-EC-FW-0609-...	175			600	240	1.84		
R88L-EC-FW-0612-...	223			800	320	2.37		
R88L-EC-FW-1112-...	223	130	41.1	1600	608	4.45	10.5	
R88L-EC-FW-1115-...	271			2000	760	5.45		

### Features and benefits:

- Compact, flat design
- Optimum ratio between force and volume
- Weight-optimized magnetic track
- Optional digital hall-sensor

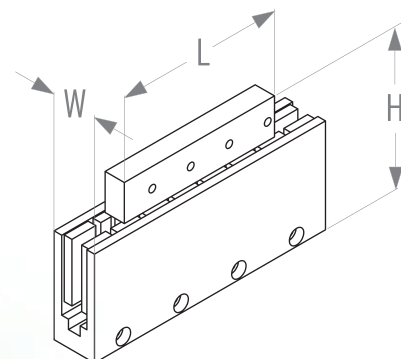


## Ironless linear motors

Product name	Motor length L [mm]	System width W [mm]	System height H [mm]	Peak force Fp [N]	Nominal force Fc [N]	Weight coil unit Mp [kg]	Weight magnet track Ms [kg/m]	Voltage Ubus [Vac]
R88L-EC-GW-0303-...	78	21	68	100	26.5	0.084	4.8	100/230
R88L-EC-GW-0306-...	138			200	53	0.138		
R88L-EC-GW-0309-...	198			300	80	0.198		
R88L-EC-GW-0503-...	106	28.4	105	240	58	0.25	11.2	
R88L-EC-GW-0506-...	190			480	117	0.47		
R88L-EC-GW-0509-...	274			720	175	0.69		
R88L-EC-GW-0703-...	134	48	124.8	700	117	0.55	24	
R88L-EC-GW-0706-...	248			1400	232	0.95		
R88L-EC-GW-0709-...	362			2100	348	1.35		

### Features and benefits:

- Compact, efficient design
- Excellent force-to-weight ratio
- No latching force
- Optional digital hall-sensor



# From components up to the system solution

The demands placed on modern, innovative production systems in terms of reliability, precision, speed and freedom from maintenance are constantly increasing. Omron offers linear motor solutions, from components to entire systems, from a single source. Over many years, sectors such as the semiconductor, photovoltaic, pharmaceutical and packaging industries have come to value Omron as an expert supplier and partner in this field. We are pleased to advise and support you with our experience and expertise, starting from the initial idea, through design to optimum integration in your machine and system concept.

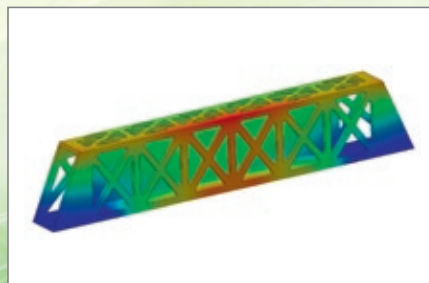
High-efficiency, iron-core linear motors and magnet tracks provide the solid basis for a wide range of over 100 standard linear motor axes. In addition to components and complete axes, Omron also offers a wide range of X/Y tables and gantry systems. The systems are adapted and optimized for the required application as necessary.

Omron's internal "Mechatronic" and "Application" competence teams work hand-in-hand to produce solutions in customization projects. The customer and his application are always the focus of our concerns and we work in dialogue with him to produce sustainable solutions that are perfectly tailored to his needs.

The global Omron Service & Support network is available to provide installation services, training and after-sales support.



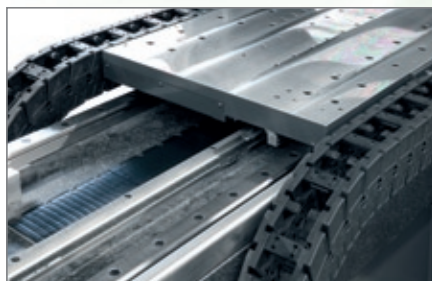
Precision measurement with laser interferometer for quality assurance to create the data for stage mapping.



Modern development tools are available for analyses and simulations when developing and implementing projects.



For customization applications, we are pleased to produce and implement solutions in accordance with your specifications.



Iron core linear motor components in laser processing for precise, uniform movement of the substrate and laser.



Iron core linear motor components in printed circuit board processing for high dynamic and precise positioning of tools and PCBs.



Modular 'double-head' system solutions based on standard axes for product handling in the packaging industry.

# Linear motor axes

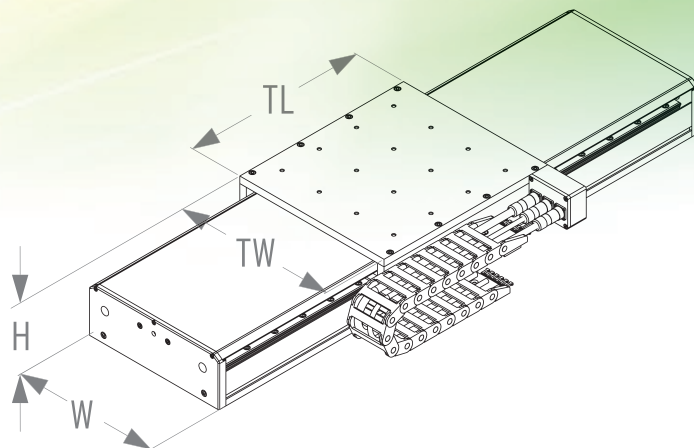


## Iron-core linear motor axes

Product name	Nominal force F <sub>c</sub> [N]	Peak force F <sub>p</sub> [N]	Moving mass M <sub>mov.</sub> [kg]	Table length TL [mm]	Table width TW [mm]	W [mm]	H [mm]	Load capacity [kg]	
R88L-EA-AF-0303-...	48	105	3.1	160	191	168	95	5	
22 variants, strokes from 110 to 2126 mm, grid 96 mm				208					
R88L-EA-AF-0306-...	96	210	3.9	208					
21 variants, strokes from 158 to 2078 mm, grid 96 mm				219	194	99	15		
R88L-EA-AF-0606-...	160	400	5.4					208	
22 variants, strokes from 110 to 2126 mm, grid 96 mm								256	
R88L-EA-AF-0609-...	240	600	6.7					256	
21 variants, strokes from 158 to 2078 mm, grid 96 mm				304	310	280	118	35	
R88L-EA-AF-0612-...	320	800	7.9						304
21 variants, strokes from 110 to 2030 mm, grid 96 mm									352
R88L-EA-AF-1112-...	608	1600	13.7	304	310	280	118	35	
22 variants, strokes from 110 to 2126 mm, grid 96 mm				352					
R88L-EA-AF-1115-...	760	2000	15.9	352					
22 variants, strokes from 158 to 2174 mm, grid 96 mm									

### Features and benefits:

- Low moving mass
- Optimized stroke/product length ratio
- Compact design
- 5 m/s maximum speed with 1 µm repeatability



The compact, flat design of the motor components is also to be found in the standard axes. The low moving masses ensure a high degree of dynamism, even with low advance forces. The advanced aluminium base profile sets new standards in precision and light-weight design. This means that the areas of application of the new

axis family are almost limitless. The axes can be supplied in lengths of up to 6 meters on request.

The compact nature of the system also ensures that it can be used in almost any application, from high-speed processing and test systems to measurement technology applications in the micrometre range.

# Linear motor systems

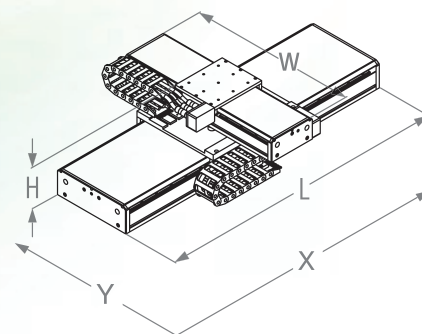


## XY systems

Product name	Nominal force Fc [N] X/Y	Peak force Fp [N] X/Y	Operating range X/Y [mm]	Installation space L x W x H [mm]	Moving mass Mmov. [kg] X	Moving mass Mmov. [kg] Y	Max. load ML [kg]	Total volume [kg]
R88L-ES-XY-0205-000	96/48	240/120	254/206	504/408/186	16	3.1	2.5	24
			350/302	600/504/186	18			27
			542/494	792/696/186	22			32
R88L-ES-XY-0410-000	240/96	675/240	350/350	648/600/190	21	3.9	5	34
			446/446	744/696/190	23			37
			542/542	840/792/190	25			40
R88L-ES-XY-0710-000	760/160	2250/450	446/494	840/744/211	41	5.4	10	65
			638/686	1032/936/211	45			75

### Features and benefits:

- Modular concept
- Reduces construction time
- Easy machine integration
- Low installation height

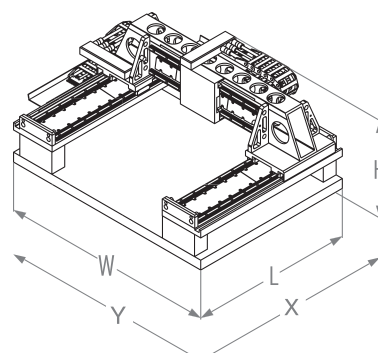


## Gantry systems

Product name	Nominal force Fc [N] X/Y	Peak force Fp [N] X/Y	Operating range X/Y/Z [mm]	Installation space L x W x H [mm]	Moving mass Mmov. [kg] X	Moving mass Mmov. [kg] Y	Max. load ML [kg]	Total volume [kg]
R88L-ES-GT-0305-000	320/48	900/120	366/350/163	662/964/395	24	3.4	2.5	118
			558/542/163	854/1156/395	27			163
			750/734/163	1046/1348/395	29			214
R88L-ES-GT-0405-000	480/160	1350/450	518/590/165	854/1252/417	36	5.2	5	180
			806/782/165	1142/1444/417	40			254
R88L-ES-GT-0505-000	640/240	1800/675	662/638/165	1046/1348/417	41	6.2	10	227
			854/830/165	1238/1540/417	44			288

### Features and benefits:

- High rigidity for high dynamic
- Scalable systems
- Can be adapted to customer requirements
- Easy to maintain



**OMRON EUROPE B.V.** Wegalaan 67-69, NL-2132 JD, Hoofddorp, The Netherlands. Tel: +31 (0) 23 568 13 00 Fax: +31 (0) 23 568 13 88 [www.industrial.omron.eu](http://www.industrial.omron.eu)

**Austria**

Tel: +43 (0) 2236 377 800  
[www.industrial.omron.at](http://www.industrial.omron.at)

**Belgium**

Tel: +32 (0) 2 466 24 80  
[www.industrial.omron.be](http://www.industrial.omron.be)

**Czech Republic**

Tel: +420 234 602 602  
[www.industrial.omron.cz](http://www.industrial.omron.cz)

**Denmark**

Tel: +45 43 44 00 11  
[www.industrial.omron.dk](http://www.industrial.omron.dk)

**Finland**

Tel: +358 (0) 207 464 200  
[www.industrial.omron.fi](http://www.industrial.omron.fi)

**France**

Tel: +33 (0) 1 56 63 70 00  
[www.industrial.omron.fr](http://www.industrial.omron.fr)

**Germany**

Tel: +49 (0) 2173 680 00  
[www.industrial.omron.de](http://www.industrial.omron.de)

**Hungary**

Tel: +36 1 399 30 50  
[www.industrial.omron.hu](http://www.industrial.omron.hu)

**Italy**

Tel: +39 02 326 81  
[www.industrial.omron.it](http://www.industrial.omron.it)

**Netherlands**

Tel: +31 (0) 23 568 11 00  
[www.industrial.omron.nl](http://www.industrial.omron.nl)

**Norway**

Tel: +47 (0) 22 65 75 00  
[www.industrial.omron.no](http://www.industrial.omron.no)

**Poland**

Tel: +48 (0) 22 645 78 60  
[www.industrial.omron.pl](http://www.industrial.omron.pl)

**Portugal**

Tel: +351 21 942 94 00  
[www.industrial.omron.pt](http://www.industrial.omron.pt)

**Russia**

Tel: +7 495 648 94 50  
[www.industrial.omron.ru](http://www.industrial.omron.ru)

**South Africa**

Tel: +27 (0)11 608 3041  
[www.industrial.omron.co.za](http://www.industrial.omron.co.za)

**Spain**

Tel: +34 913 777 900  
[www.industrial.omron.es](http://www.industrial.omron.es)

**Sweden**

Tel: +46 (0) 8 632 35 00  
[www.industrial.omron.se](http://www.industrial.omron.se)

**Switzerland**

Tel: +41 (0) 41 748 13 13  
[www.industrial.omron.ch](http://www.industrial.omron.ch)

**Turkey**

Tel: +90 216 474 00 40  
[www.industrial.omron.com.tr](http://www.industrial.omron.com.tr)

**United Kingdom**

Tel: +44 (0) 870 752 08 61  
[www.industrial.omron.co.uk](http://www.industrial.omron.co.uk)

**More Omron representatives**  
[www.industrial.omron.eu](http://www.industrial.omron.eu)

**Automation Systems**

- Programmable logic controllers (PLC) • Human machine interfaces (HMI) • Remote I/O
- Industrial PC's • Software

**Motion & Drives**

- Motion controllers • Servo systems • Inverters

**Control Components**

- Temperature controllers • Power supplies • Timers • Counters • Programmable relays
- Digital panel indicators • Electromechanical relays • Monitoring products • Solid-state relays
- Limit switches • Pushbutton switches • Low voltage switch gear

**Sensing & Safety**

- Photoelectric sensors • Inductive sensors • Capacitive & pressure sensors
- Cable connectors • Displacement & width-measuring sensors • Vision systems
- Safety networks • Safety sensors • Safety units/relay units • Safety door/guard lock switches